

UNIC Hydraulic Crane

UNIC Hydraulic Cranes

URA343-C

**PARTS
MANUAL**

FURUKAWA UNIC Corporation



HYDRAULIC CRANE PARTS CATALOG

UR343-C

SERIAL No. N105251~

PCUR343C199608A

3-12, Higashishinagawa 2-chome, Shinagawa-ku Tokyo 140,
Japan
TEL : (TOKYO 03) 5460-4151
FACSIMILE : (TOKYO 03) 5460-4191

FURUKAWA UNIC CORPORATION

GENERAL INFORMATION

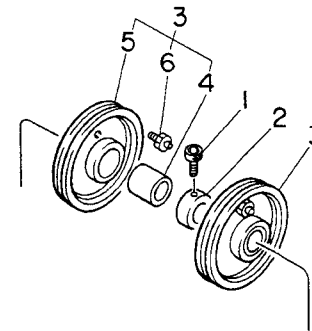
This parts catalog contains the description of the parts for UNIC Hydraulic Crane Model UR343-C.

The application is Cranes from serial number UR343-C No. N105251~.

The crane serial number is engraved on the specification plate fixed at the column.

● HOW TO USE THIS PARTS CATALOG

KEY No.	PARTS No.	PARTS NAME	Q'ty	MAR K	SERIAL No.	NOTE
[Example] 1~43	0146 24000	Boom Ass'y	1 set	△	---	→ Assembly part
1	7161 06030	Bolt	2			→ Sub-assembly part
2	0215 21020	Spacer	1			
A 3	9110 00019	Sheave - slide 200 φ Ass'y	2 set		---	→ Component part
A 4	0211 21130	Bushing	1			
A 5	0217 21180	Sheave - slide 200 φ	1			
A 6	7243 31000	Nipple - grease	1		---	



1. Illustrations are shown every component group and each part is denoted with index number on outgoing line. The index number agrees with the key number of the lists. Therefore, you can find the part name, part number, quantity, applicable serial number crane, changing period, etc. by the number.
2. Relations of assembly part, sub-assembly part and component part are indicated as above list and illustration.
3. A · B · C···in the "KEY No." column indicate sub-assembly parts and A1 · A2 · A3···B1 · B2 · B3····S1 · S2 · S3···indicate component parts.
4. Each number in the "Q'ty" column indicates the quantity used per each assembly.

5. How to read the indication in the "Mark" column.

○New and old parts are each interchangeable.

○New parts can changeable of old parts, but not vice-versa.

×New and old parts are not interchangeable.

△Part not for sale.

DDisuse.

QQuantity change.

6. How to order the service parts.

(1) When ordering service parts, please be sure to supply the following information.

* Crane model	* Serial number
* Assembly name	* Part name
* Part number	* Quantity

(2) Interchangeable or no-interchangeable part.

When you order the interchangeable part marked ○, please order new part.

When you order the interchangeable part marked ×, please confirm the serial number and the manufactured date of the crane, and order adequate part.

(3) Quantity, length

nDecide your necessary quantity.

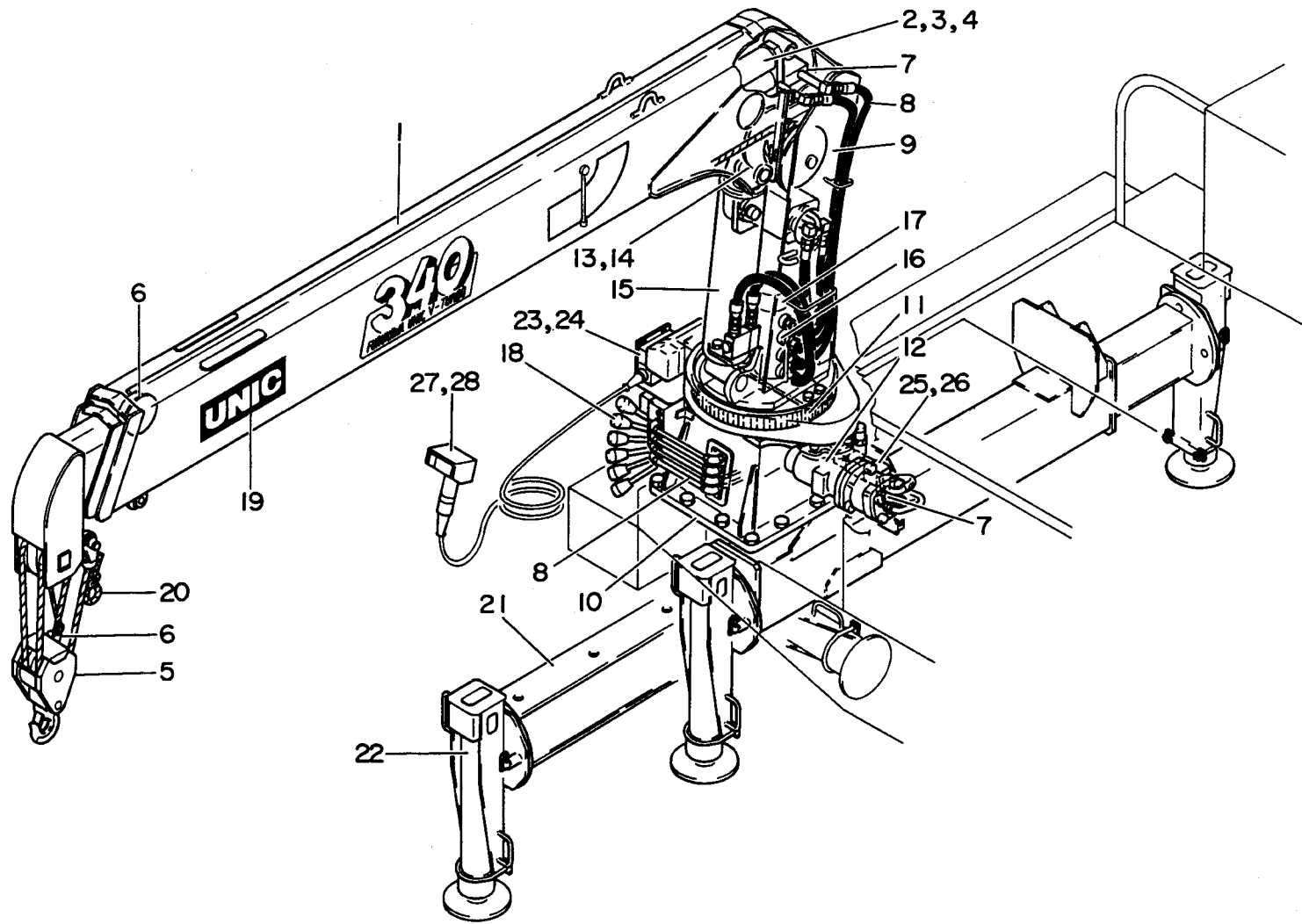
ℓDecide your necessary length.

(4) Use "UNIC GENUINE PARTS" exclusively for servicing your crane. No warranty can be given on a trouble caused by using a part except genuine parts.

(5) Purchase the service parts at your nearest dealer or service shop.

(Note) In accordance with our policy of constant improvement, all parts are subject to change without notice or obligation.

HYDRAULIC TRUCK CRANE UR343-C



C O N T E N T S

FIG. NO.	SECTION NAME	PAGE	FIG. NO.	SECTION NAME	PAGE
1	3-section BOOM ASS'Y	12	13	HOIST WINCH ASS'Y	50
2	EXTENSION CYLINDER (1) ASS'Y	16	14	WINCH GEAR BOX ASS'Y	52
3	EXTENSION CYLINDER (2) ASS'Y	18	15	BOOM LIFT CYLINDER ASS'Y	54
4	SELECTOR VALVE ASS'Y	20	16	SWIVEL JOINT ASS'Y	56
5	HOOK ASS'Y	22	17	SLIP RING ASS'Y	58
6	SAFETY DEVICE ASS'Y	24	18	CONTROL ASS'Y	60
7	HYDRAULIC DRIVING DEVICE	28	19	PLACARD	62
8-1	PIPING (Boom lift cylinder)	30	20	EQUIPMENT	64
8-2	PIPING (Hoist motor)	32	21	REAR OUTRIGGER ASS'Y (Revelution type)	66
8-3	PIPING (Extension cylinder)	34	22	OUTRIGGER CYLINDER ASS'Y	68
8-4	PIPING (Swing motor)	36	23	REMOTE CONTROL FITTING & WIRINGS ASS'Y (Wired)	70
8-5	PIPING (Outrigger)	38	24	CONTROL BOX ASS'Y	72
8-6	PIPING (Remote control)	40	25	ACCELERATOR UNIT ASS'Y	74
9	COLUMN ASS'Y	42	26	PROPORTIONAL SOLENOID CYLINDER ASS'Y	76
10	BASE ASS'Y	44	27	WIRE REMOTE CONTROL ACCESSORYS	78
11	SWING DEVICE ASS'Y	46	28	REMOTE CONTROLLER ASS'Y	80
12	SWING GEAR BOX ASS'Y	48			

C O N T E N T S

FIG. NO.	SECTION NAME	PAGE	FIG. NO.	SECTION NAME	PAGE
	{ HYDRAULIC PARTS }				
HP 1	CONTROL VALVE ASS'Y (6-Spools)	86			
HP 2	RELIEF VALVE ASS'Y (RT-15C)	90			
HP 3	EXTENSION CYLINDER HOLDING VALVE ASS'Y (CB-03ET)	92			
HP 4	BOOM LIFT CYLINDER HOLDING VALVE ASS'Y (CB-03ED-1)	94			
HP 5	OUTRIGGER CYLINDER HOLDING VALVE ASS'Y (CP-03F)	96			
HP 6	PILOT CHECK VALVE ASS'Y (CP-03W-B)	98			
HP 7	REMOTE CONTROL VALVE WIRING ASS'Y	100			
HP 8	REMOTE CONTROL VALVE ASS'Y	102			

UR343-C

Fig. 1 3-section BOOM ASS'Y

KEY No.	PARTS No.	PARTS NAME	Q t y	M A R K	SERIAL No.	NOTE	KEY No.	PARTS No.	PARTS NAME	Q t y	M A R K	SERIAL No.	NOTE
1~67	08V8 21000	3-section Boom Ass'y	1 set	△			19	0806 21090	Pin (15)	1			
1	08V8 21011	Boom (1)	1				20	08AC 21121	Bolt	4			
2	08V8 21020	Boom (2)	1				21	0805 21133	Plate	2			
3	08V8 21030	Boom (3)	1				22	0806 21151	Plate	1			
4	K821 00811	Sheave Ass'y (4.85 × 137)	2 set				23	0119 51060	Plate	1			
5	0185 21031	Sheave (4.85 × 55)	1				24	0182 21110	Collar	1			
6	0882 21380	Plate-slide	2				25	084T 21110	Base-slide (200)	1			
7	0887 21060	Plate-slide	4				26	08H6 21060	Base-slide (160)	1			
8	0190 21090	Plate-slide	2				27	0886 21130	Guide (23.5)	2			
9	08AC 21130	Plate-slide	8				28	080C 21160	Guide (20.5)	2			
10	0806 21050	Roller	1				29	0149 21321	Indicator	2			
11	7260 60022	Bearing	2				30	7241 90050	Nut-push	2			
12	0143 11061	Bushing	2				31	7243 34000	Nipple-grease	1			
13	0149 21140	Pin (50)	1				32	7231 08030	Pin-split	1			
14	0146 21141	Pin (35)	1				33	7231 06025	Pin-split	1			
15	0149 21150	Pin (30)	1				34	7241 10300	Ring-snap	2			
16	0149 21160	Pin (30)	1				35	7241 20300	Ring-snap	2			
17	0183 21150	Pin	1				36	7241 20250	Ring-snap	2			
18	088D 21090	Pin (20)	1				37	7119 12D25	Bolt	1			

Q...Interchangeable.

Q...New parts can interchangeable of old parts, but not vice-versa.

X...Not interchangeable.

△...Part not for sale.

D...Disuse.

Q...Quantity

Fig. 1 3-section BOOM ASS'Y

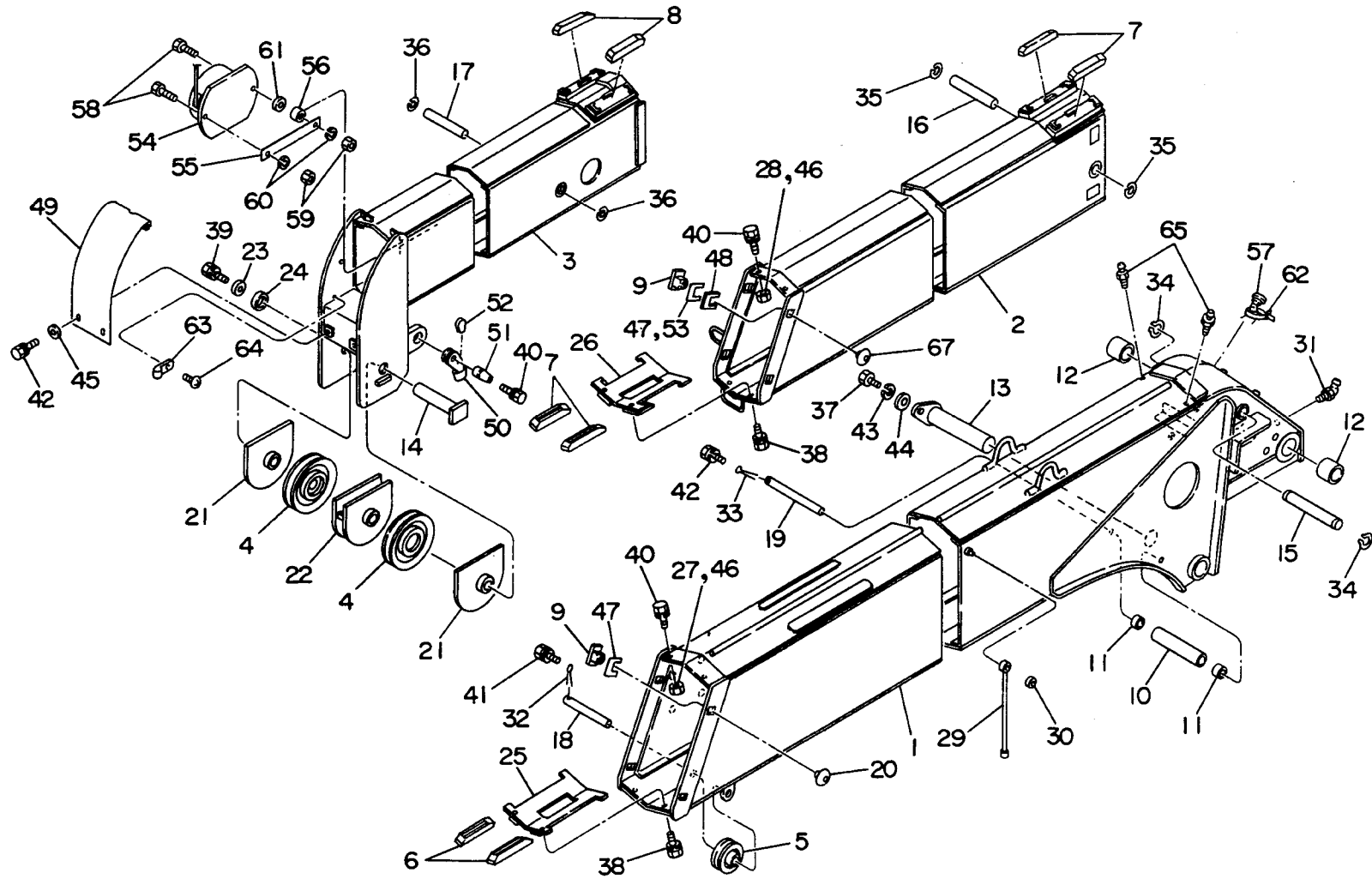


Fig. 1 3-section BOOM ASS'Y

KEY No.	PARTS No.	PARTS NAME	Q t y	M A R K	SERIAL No.	NOTE	KEY No.	PARTS No.	PARTS NAME	Q t y	M A R K	SERIAL No.	NOTE
38	7601 29045	Bolt & Washer	4				57	08H6 21131	Cap	1			
39	7141 10020	Bolt & Washer	1				58	7111 06020	Bolt	2			
40	7141 10016	Bolt & Washer	5				59	7211 11060	Nut	2			
41	7142 06015	Bolt & Washer	1				60	7222 11060	Washer-spring	2			
42	7142 05012	Bolt & Washer	3				61	7221 12060	Washer-plain	1			
43	7222 11120	Washer-spring	1				62	7505 16001	Band-wire	1			
44	7221 12120	Washer-plain	1				63	7505 23002	Clamp-wire	1			
45	7221 12050	Washer-plain	2				64	7601 10059	Screw-tapping	1			
46	080C 21140	Shim	8				65	7243 31000	Nipple-grease	2			
47	08H6 21071	Shim	12				66	☆					
48	08H6 21080	Spacer	4				67	08H6 21140	BOLT	4			
49	08H6 21090	Cover	1										
50	0805 21180	Socket-wire	1										
51	0805 21111	Pin (35)	1										
52	0123 32090	Wedge	1										
53	08H6 21111	Shim	4										
54	7505 18031	Reel-cord	1										
55	08H6 21120	Plate	1										
56	2500 96140	Collar	1										

⊙...Interchangeable.
⊙...New parts can interchangeable of old parts, but not vice-versa.
✕...Not interchangeable.
△...Part not for sale.
D...Disuse.
Q...Quantity
15

Fig. 2 EXTENSION CYLINDER (1) ASS'Y

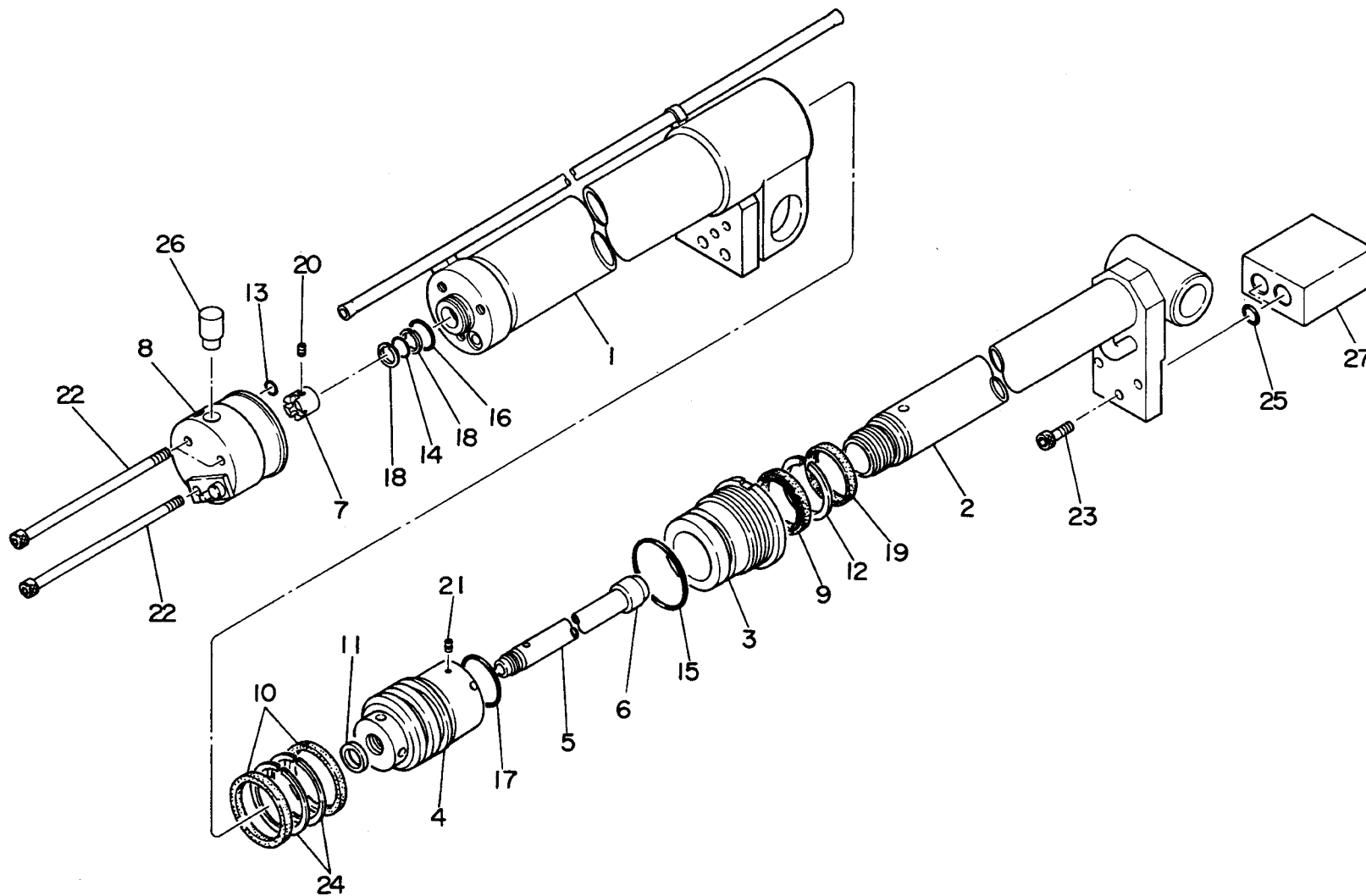


Fig. 2 EXTENSION CYLINDER (1) ASS'Y

KEY No.	PARTS No.	PARTS NAME	Q t y	M A R K	SERIAL No.	NOTE	KEY No.	PARTS No.	PARTS NAME	Q t y	M A R K	SERIAL No.	NOTE
1~26	08H6 15000	Extension cylinder (1) Ass'y	1				S 18	7321 21018	Ring-back up	2			
1	08H6 15012	Tube Ass'y	1				S 19	8290 45053	Seal-dust	1			
2	080B 15022	Rod Ass'y (1)	1				20	7049 06006	Screw-set	1			
3	0805 15030	Gland	1				21	7049 06008	Screw-set	1			
4	0805 15040	Piston	1				22	7161 08100	Bolt	3			
5	0807 15022	Pipe-slide	1				23	7161 08030	Bolt	3			
6	0800 14050	Stopper	1				S 24	8280 55065	Ring-back up	2			
7	0805 15060	Nut	1				S 25	7311 91016	Ring-"O"	2			
8	0805 15071	Selector valve Ass'y	1				26	08H6 15020	Pin	1			
		See Fig. 4					27	6014 73000	Extension cylinder holding valve Ass'y	1			CB-03ET
S 9	8230 45055	Packing	1						See Fig. HP3				
S 10	8230 55065	Packing	2										
S 11	8380 18024	Packing	1										
S 12	8280 45055	Ring-back up	1				S	9180 515P0	Packing set	1			
S 13	7311 91015	Ring-"O"	2										
S 14	7311 71018	Ring-"O"	1										
S 15	7311 91058	Ring-"O"	1										
S 16	7311 91026	Ring-"O"	1										
S 17	7311 92045	Ring-"O"	1										

Fig. 3 EXTENSION CYLINDER (2) ASS'Y

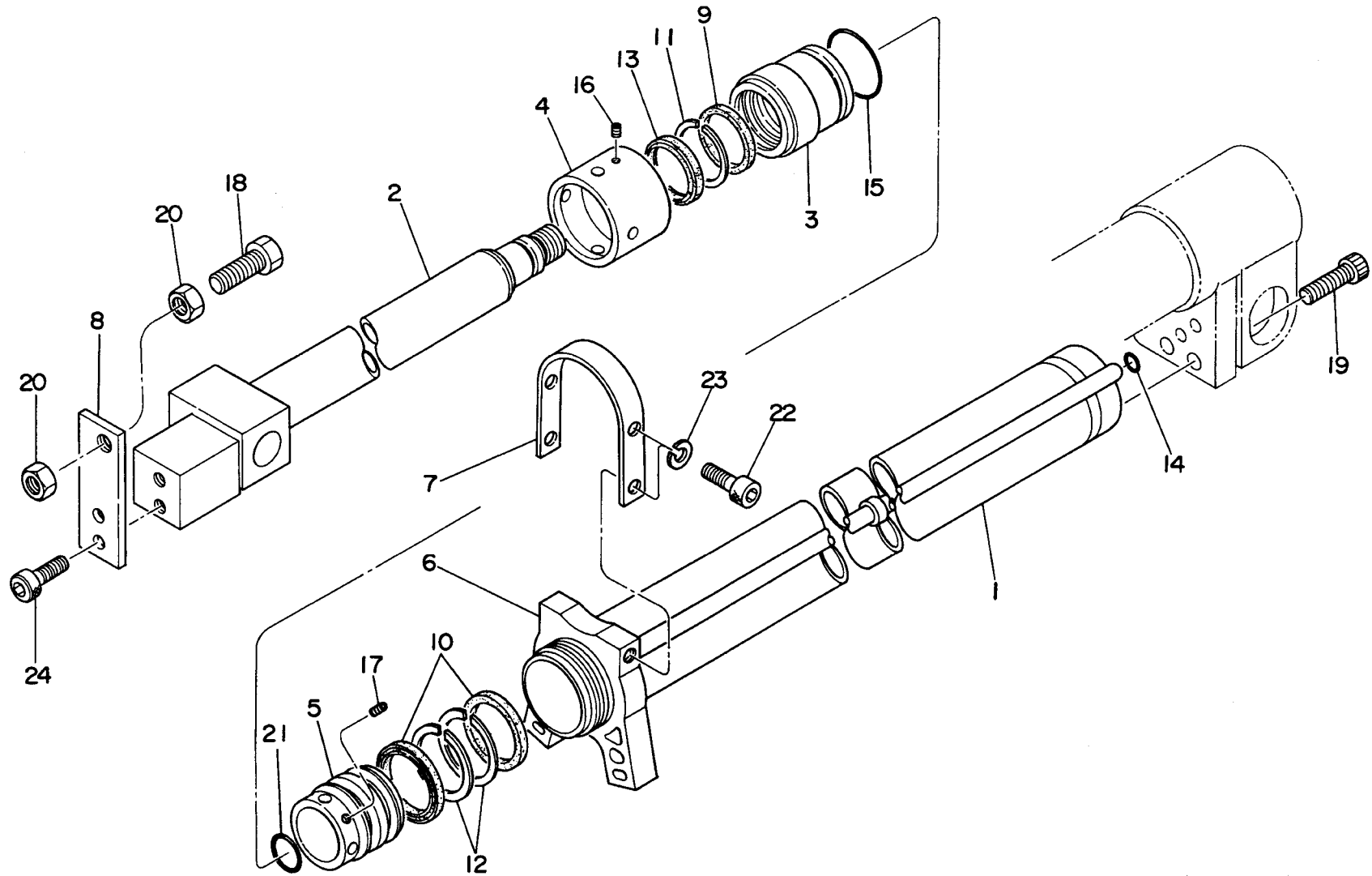


Fig.3 EXTENSION CYLINDER (2) ASS'Y

KEY No.	PARTS No.	PARTS NAME	Q t y	M A R K	SERIAL No.	NOTE	KEY No.	PARTS No.	PARTS NAME	Q t y	M A R K	SERIAL No.	NOTE
1~24	08H6 17000	Extension cylinder (2) Ass'y	1				19	7161 12030	Bolt	3			
1	080B 17010	Tube Ass'y (1)	1				20	7211 11140	Nut	2			
2	08H6 17021	Rod Ass'y (1)	1				S21	7311 92025	Ring-"O"	1			
3	0144 15031	Gland	1				22	7161 08015	Bolt	4			
4	0805 17030	Cover-cylinder	1				23	7222 11080	Washer-spring	4			
5	080B 17030	Piston	1				24	7161 10020	Bolt	2			
6	08H6 17010	Bracket	1				S	9114 415P0	Packing set	1			
7	0805 17060	Band	1							set			
8	08H6 17030	Plate (1)	1										
S 9	8230 40050	Packing	1										
S10	8230 45055	Packing	2										
S11	8280 40050	Ring-back up	1										
S12	8280 45055	Ring-back up	2										
S13	8290 40048	Seal-dust	1										
S14	7311 91012	Ring-"O"	2										
S15	7311 92050	Ring-"O"	1										
16	7049 06006	Screw-set	1										
17	7049 06010	Screw-set	1										
18	7114 14050	Bolt	1										

Fig. 4 SELECTOR VALVE ASS'Y

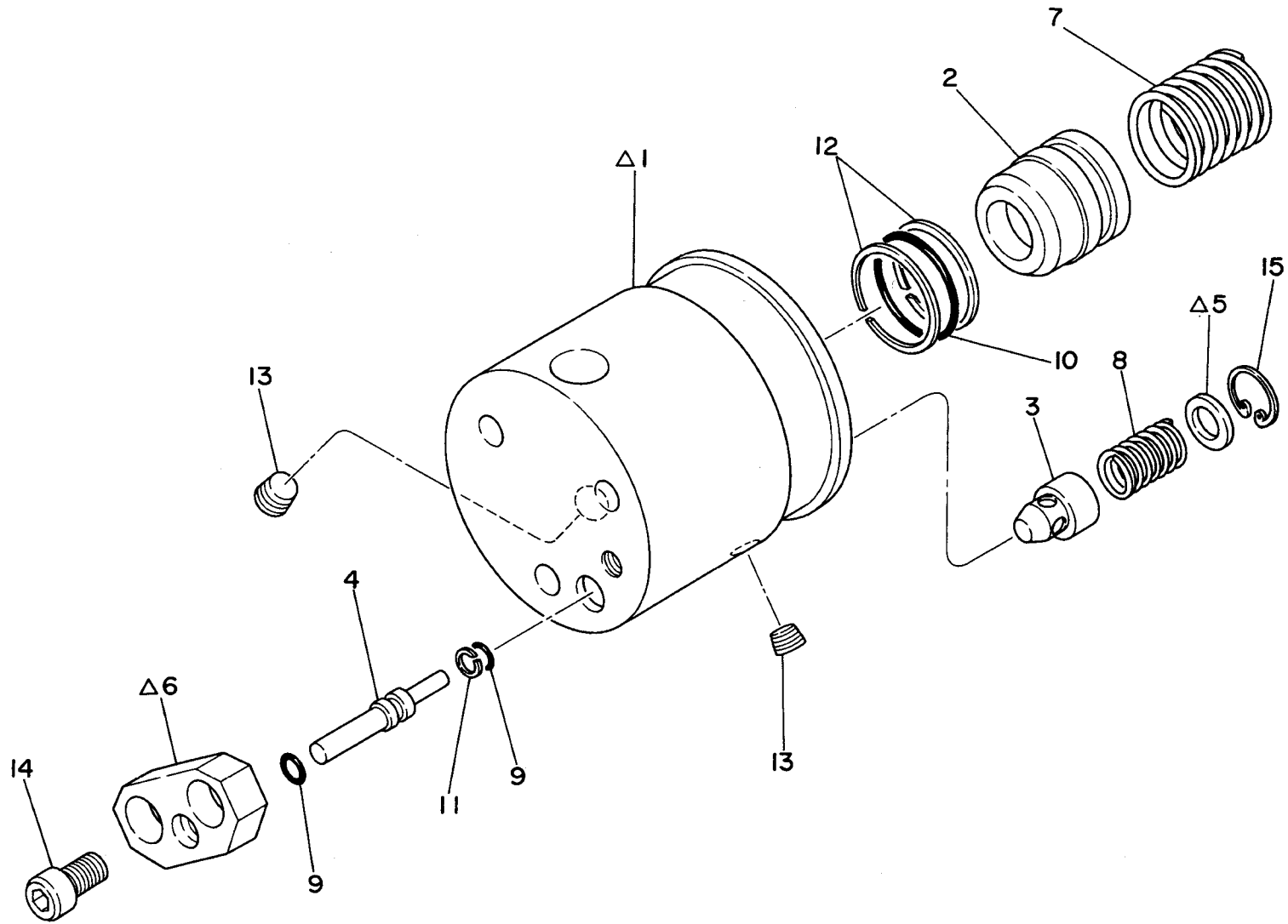


Fig. 4 SELECTOR VALVE ASS'Y

KEY No.	PARTS No.	PARTS NAME	Q t y	M A R K	SERIAL No.	NOTE	KEY No.	PARTS No.	PARTS NAME	Q t y	M A R K	SERIAL No.	NOTE
1~15	0805 15071	Selector valve Ass'y	1										
1	☆	Body	1	△									
2	K815 07020	Valve-check (1)	1										
3	V314 09031	Valve-check (2)	1										
4	K815 07070	Spool	1										
5	☆	Collar	1	△									
6	☆	Cover	1	△									
7	K815 07050	Spring (1)	1										
8	K815 07060	Spring (2)	1										
9	7311 71006	Ring-"O"	2										
10	7701 70033	Ring-"O"	1										
11	7321 21006	Ring-back up	1										
12	7701 80040	Ring-back up	2										
13	7287 20100	Plug	2										
14	7161 08015	Bolt	1										
15	7241 20140	Ring-snap	1										

Q...Interchangeable.

Q...New parts can interchangeable of old parts, but not vice-versa.

X...Not interchangeable.

△...Part not for sale.

D...Disuse.

Q...Quantity

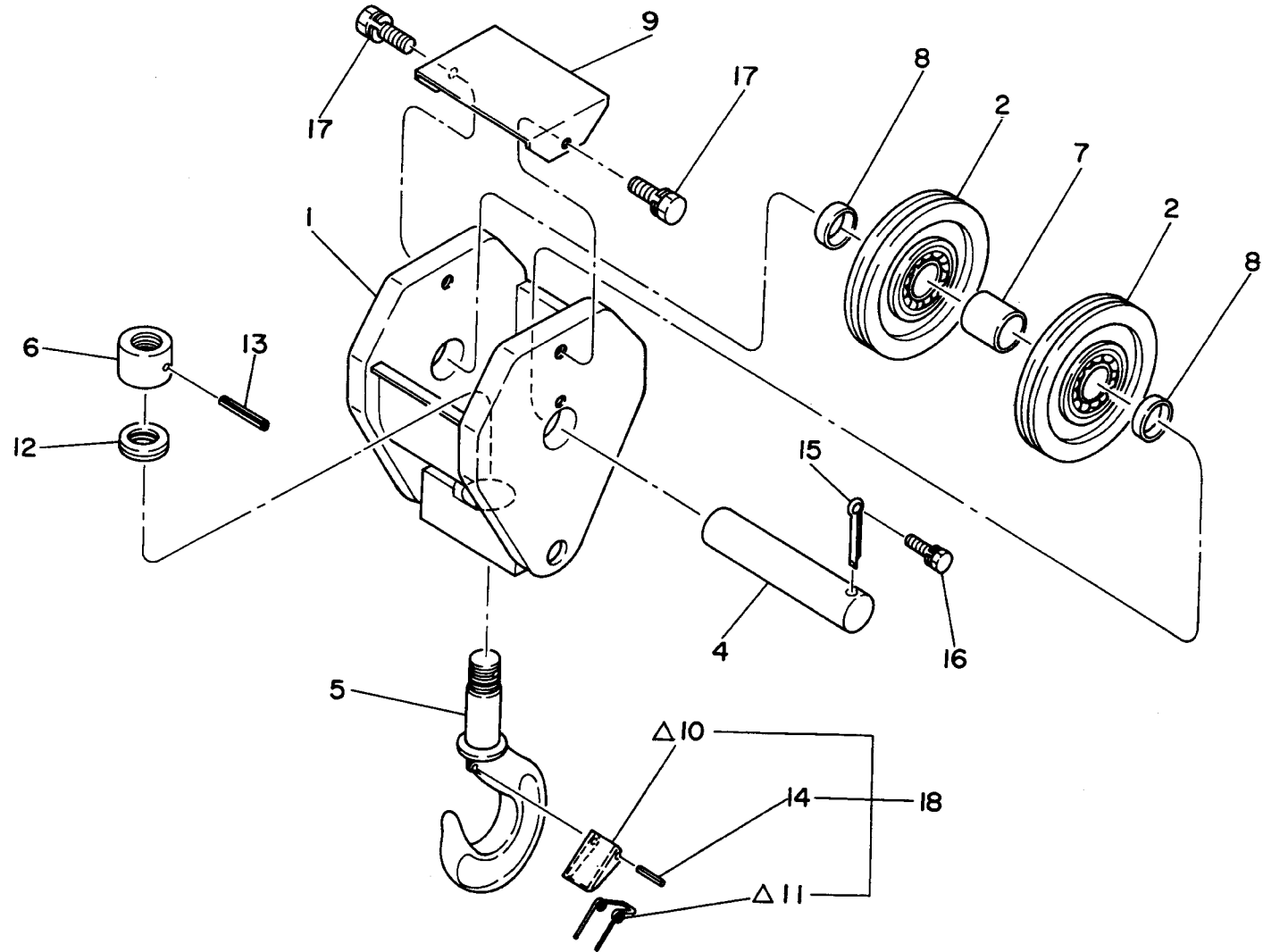


Fig. 5 HOOK ASS'Y

KEY No.	PARTS No.	PARTS NAME	Q · t y	M A R K	SERIAL No.	NOTE	KEY No.	PARTS No.	PARTS NAME	Q · t y	M A R K	SERIAL No.	NOTE
1~18	0805 35000	Hook Ass'y	1 set										
1	0805 35013	Side plate Ass'y	1										
2	K821 00811	Sheave Ass'y	2 set										
3	☆												
4	0805 35020	Pin (35)	1										
5	0143 32071	Hook	1										
6	0138 32070	Nut	1										
7	0805 35030	Collar	1										
8	0805 35040	Collar	2										
9	0805 35050	Stopper	1										
A10	☆	Stopper	1	△									
A11	☆	Spring	1	△									
12	7602 10075	Bearing-thrust ball	1										
13	7234 05050	Pin-spring	1										
A14	7234 07055	Pin-spring	1										
15	7231 10045	Pin-split	1										
16	7141 08020	Bolt & Washer	1										
17	7141 10020	Bolt & Washer	2										
A18	9110 00022	Stopper Ass'y	1 set										

⊕...Interchangeable.

⊕...New parts can interchangeable of old parts, but not vice-versa.

⊗...Not interchangeable.

△...Part not for sale.

D...Disuse.

Q...Quantity

Fig. 6 SAFETY DEVICE ASS'Y

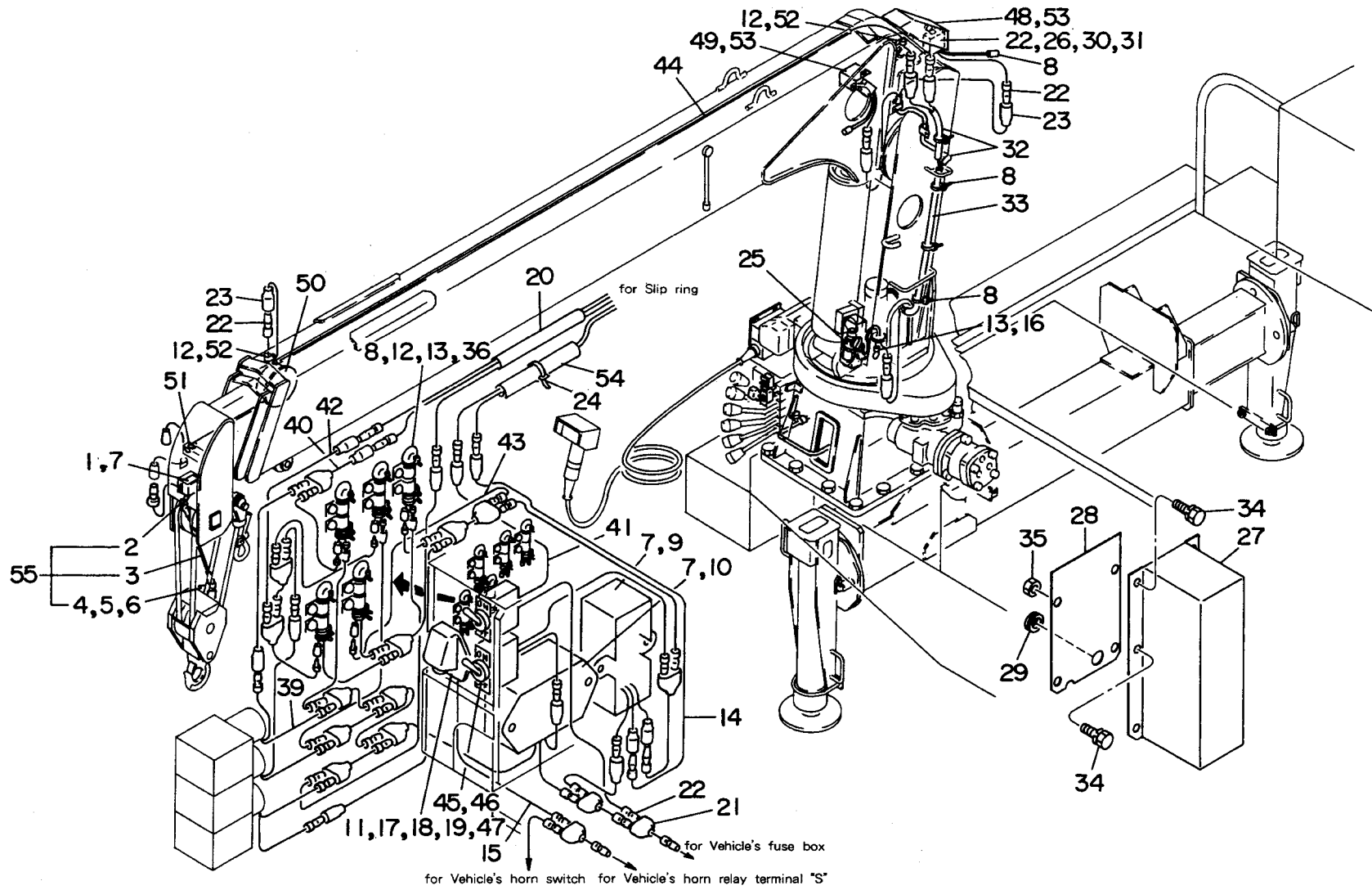


Fig. 6 SAFETY DEVICE ASS'Y

KEY No.	PARTS No.	PARTS NAME	Q t y	M A R K	SERIAL No.	NOTE	KEY No.	PARTS No.	PARTS NAME	Q t y	M A R K	SERIAL No.	NOTE
1~55	08V8 96000	Safety device Ass'y	1				19	7223 12030	Washer-tooth	2			
1	6032 18000	Alarm-overwinding (detector)	1				20	7505 13006	Tube-wire	ℓ			Black ℓ = 3m
A 2	08H6 91010	Ring	2				21	7505 01004	Connector (W · F)	15			
A 3	0882 91011	Rope-wire	1				22	7505 01005	Connector (M)	40			
A 4	0143 91031	Weight	1				23	7505 01006	Connector (F)	15			
A 5	7111 08070	Bolt	1				24	7505 16002	Band-wire	13			
A 6	7211 11080	Nut	2				25	7409 90070	Switch-pressure	1			
7	7142 06012	Bolt & Washer	8				26	7503 06009	Switch-limit	2			
8	7505 16001	Band-wire	16				27	08V1 96020	Cover	1			
9	0891 96021	Relay box Ass'y	1				28	08V1 96030	Plate	1			
10	6031 16000	Alarm-overwinding (buzzer)	1				29	7505 10013	Grommet	1			
11	0111 89011	Switch-push button	1				30	7161 05016	Bolt	4			
12	7505 23002	Clamp-wire	19				31	7505 21001	Terminal	3			
13	7601 10059	Screw-tapping	15				32	7505 13004	Tube-wire	ℓ			Black ℓ = 0.5m
14	7506 02004	Cord-vinyl	ℓ			Black ℓ = 5m	33	7505 13007	Tube-wire	ℓ			Black ℓ = 4m
15	7506 02072	Cord-vinyl	ℓ			Green ℓ = 2.6m	34	7142 06010	Bolt & Washer	6			
16	7505 09005	Terminal	1				35	7211 11060	Nut	6			
17	7015 03015	Screw-machine	2				36	6032 30000	Diode Ass'y	5			
18	7211 11030	Nut	2				37	☆					

⊕...Interchangeable.

⊕...New parts can interchangeable of old parts, but not vice-versa.

⊗...Not interchangeable.

△...Part not for sale.

D...Disuse.

Q...Quantity

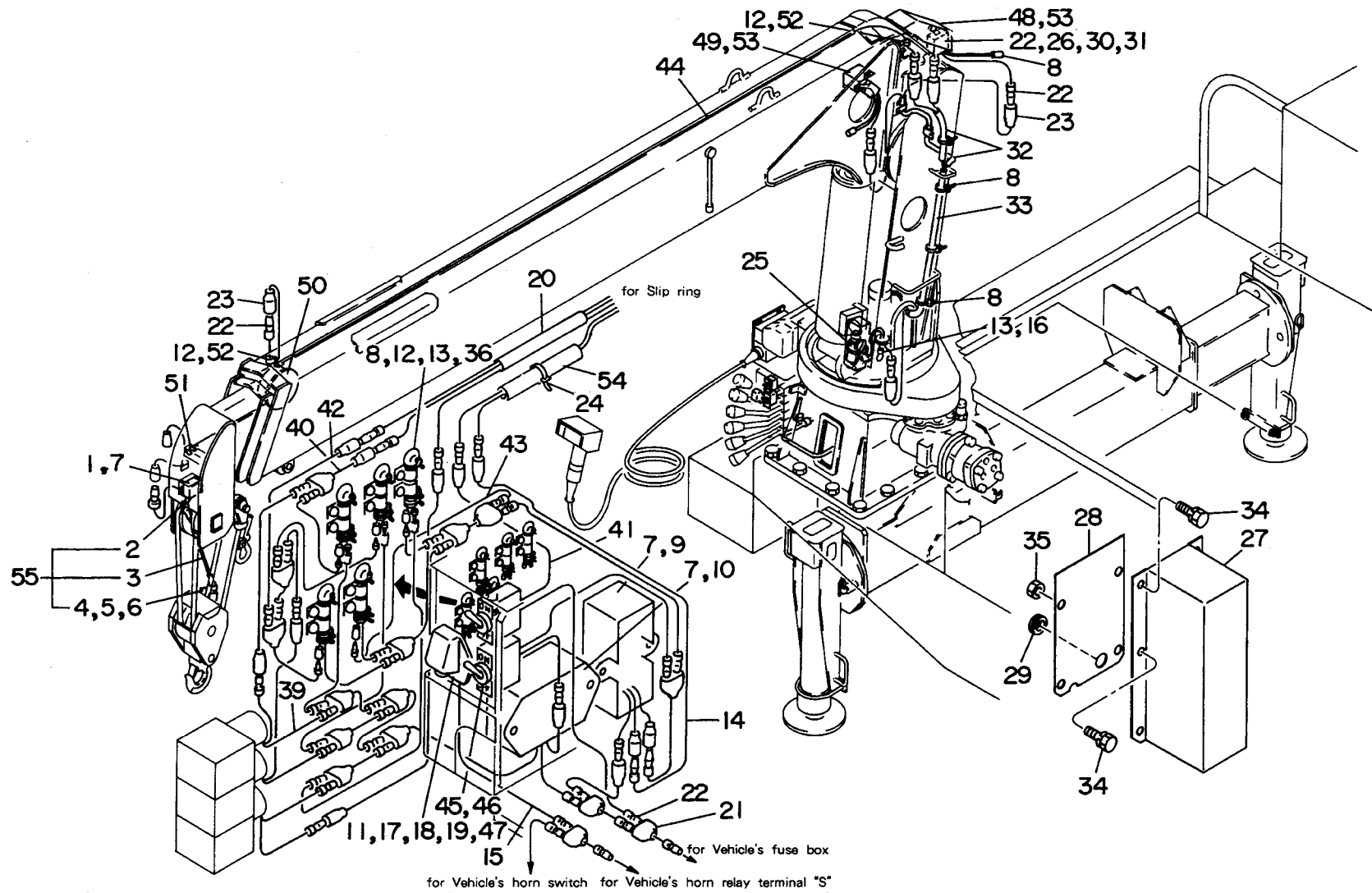


Fig. 6 SAFETY DEVICE ASS'Y

KEY No.	PARTS No.	PARTS NAME	Q · t y	M A R K	SERIAL No.	NOTE	KEY No.	PARTS No.	PARTS NAME	Q · t y	M A R K	SERIAL No.	NOTE
38	☆												
39	7506 02005	Cord-vinyl	1 m			Yellow							
40	7506 02007	Cord-vinyl	6 m			Green							
41	7506 02009	Cord-vinyl	2 m			Blue							
42	7506 02008	Cord-vinyl	4 m			White							
43	7506 02001	Cord-vinyl	6 m			Red							
44	V191 00810	Cord-vinyl	1			ℓ = 3000							
45	7503 01028	Switch-toggle	2										
46	7504 02001	Plate	2										
47	7505 09004	Terminal	2										
48	08V8 96011	Cover	1										
49	08V8 96021	Cover	1										
50	7505 18009	Reel-cord	1										
51	7604 52011	Grommet	1										
52	7601 10057	Screw-tapping	6										
53	7141 08012	Bolt & Washer	4										
54	025R 63360	Plate-vinyl chloride	1										
A55	N191 01811	Weight Ass'y	1 set										

↔ ...Interchangeable.

↔ ...New parts can interchangeable of old parts, but not vice-versa.

⊘ ...Not interchangeable.

△ ...Part not for sale.

D...Disuse.

Q...Quantity

Fig. 7 HYDRAULIC DRIVING DEVICE

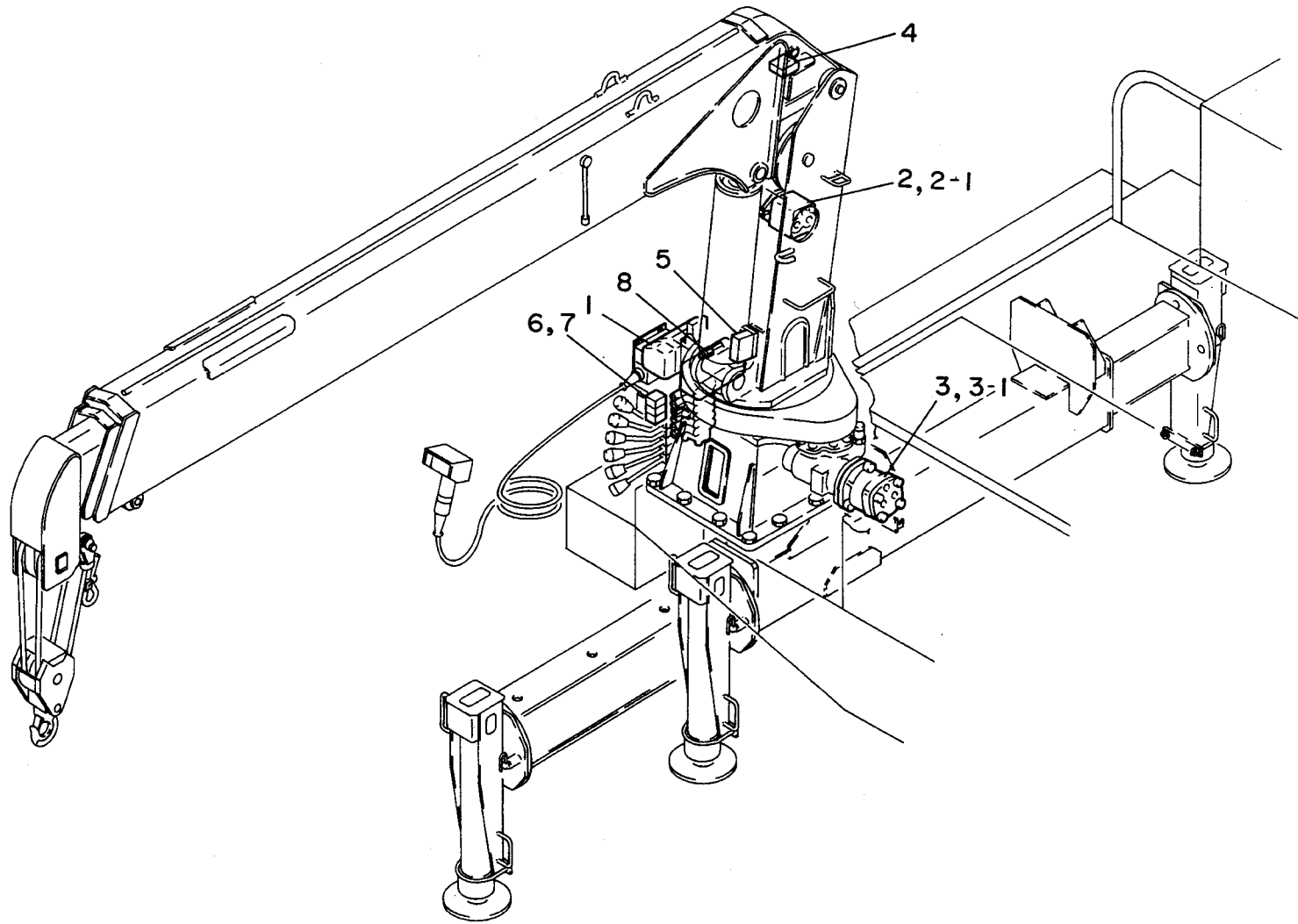


Fig. 7 HYDRAULIC DRIVING DEVICE

KEY No.	PARTS No.	PARTS NAME	Q t y	M A R K	SERIAL No.	NOTE	KEY No.	PARTS No.	PARTS NAME	Q t y	M A R K	SERIAL No.	NOTE
1~8	08V8 61000	Hydraulic driving device	1	set	△								
1	6019 86000	Control valve Ass'y See Fig. HP1	1										
2	7403 70011	Hydraulic motor (Hoist)	1			A10FL25 KA							
2-1	9110 00149	Seal set	1										
3	7403 20023	Hydraulic motor (Swing)	1			APKM40-40							
3-1	9110 00150	Seal set	1										
4	6014 73000	Extension cylinder holding valve Ass'y See Fig. HP3	1			CB-03ET							
5	6018 31000	Boom lift cylinder holding valve Ass'y See Fig. HP4	1			CB-03ED-1							
6	6019 87000	Pilot check valve Ass'y See Fig. HP6	3			CP-03W-B							
7	7401 92057	Solenoid valve	3										
8	6016 88000	Check valve Ass'y	1			C-0203-30							

Q...Interchangeable.

Q...New parts can interchangeable of old parts, but not vice-versa.

X...Not interchangeable.

△...Part not for sale.

D...Disuse.

Q...Quantity

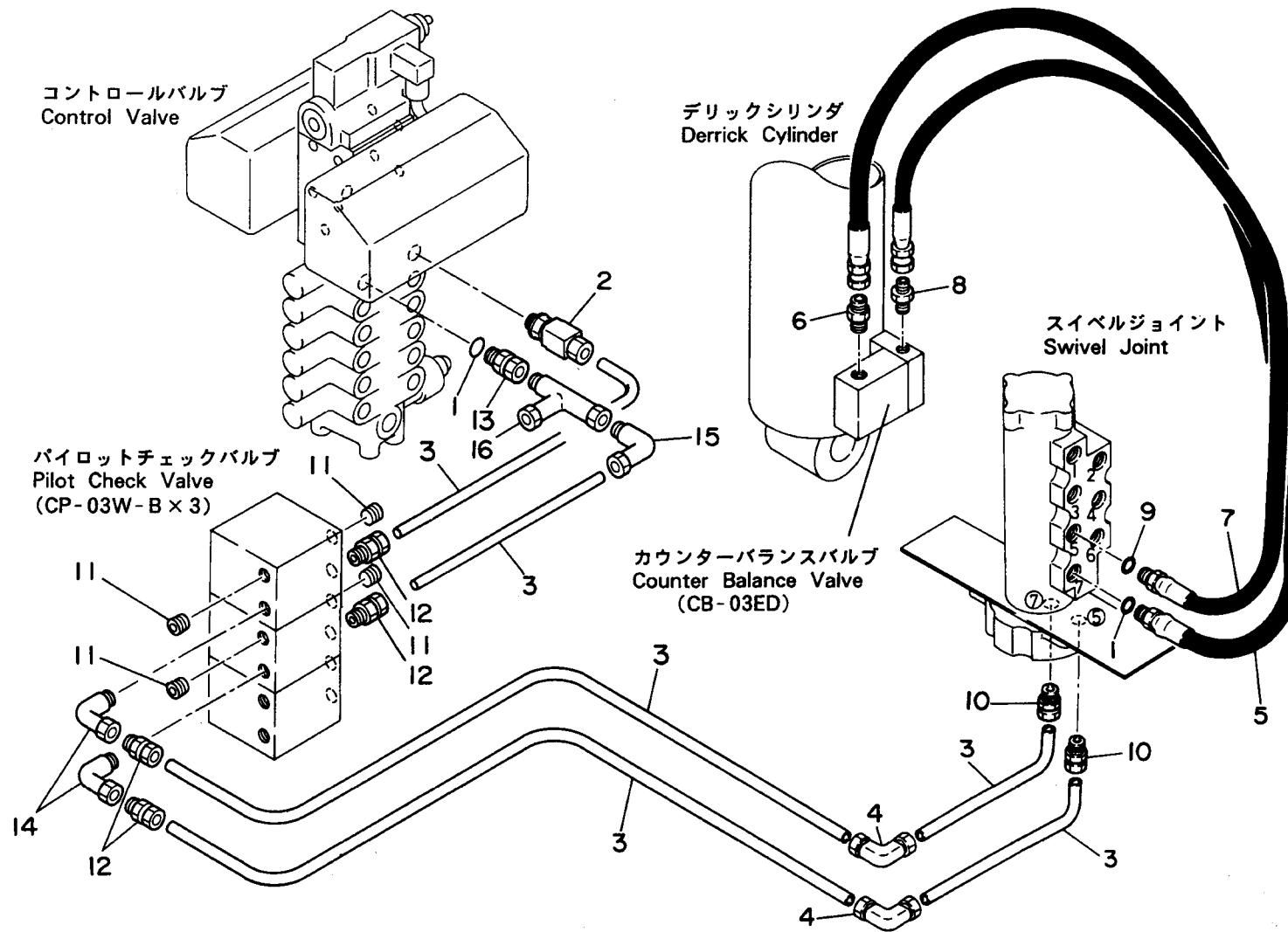


Fig. 8-1 PIPING (Boom lift cylinder)

KEY No.	PARTS No.	PARTS NAME	Q · t y	M A R K	SERIAL No.	NOTE	KEY No.	PARTS No.	PARTS NAME	Q · t y	M A R K	SERIAL No.	NOTE
1~16	☆	Piping (Boom lift cylinder)	1 set	△									
1	7311 91014	Ring- "O"	2										
2	7702 90035	Joint	1										
3	77P4 12015	Pipe	ℓ			φ 12							
4	7281 51200	Elbow	2										
5	7701 13035	Hose-pressure, nylon	1										
6	770A 02J06	Adapter (M) (M)	1										
7	7701 12020	Hose-pressure, nylon	1										
8	770A 02J04	Adapter (M) (M)	1										
9	7311 91011	Ring- "O"	1										
10	728S 57041	Connector	2										
11	7287 20300	Plug	4										
12	728S 05049	Connector (M)	4										
13	770A 08J06	Adapter (F) (M)	1										
14	6020 05031	Elbow (F) (M)	2										
15	7281 71203	Nipple-elbow	1										
16	0138 62010	Joint	1										

↺...Interchangeable.
 ↻...New parts can interchangeable of old parts, but not vice-versa.
 ✂...Not interchangeable.
 △...Part not for sale.
 D...Disuse.
 Q...Quantity
 31

Fig. 8-2 PIPING (Hoist motor)

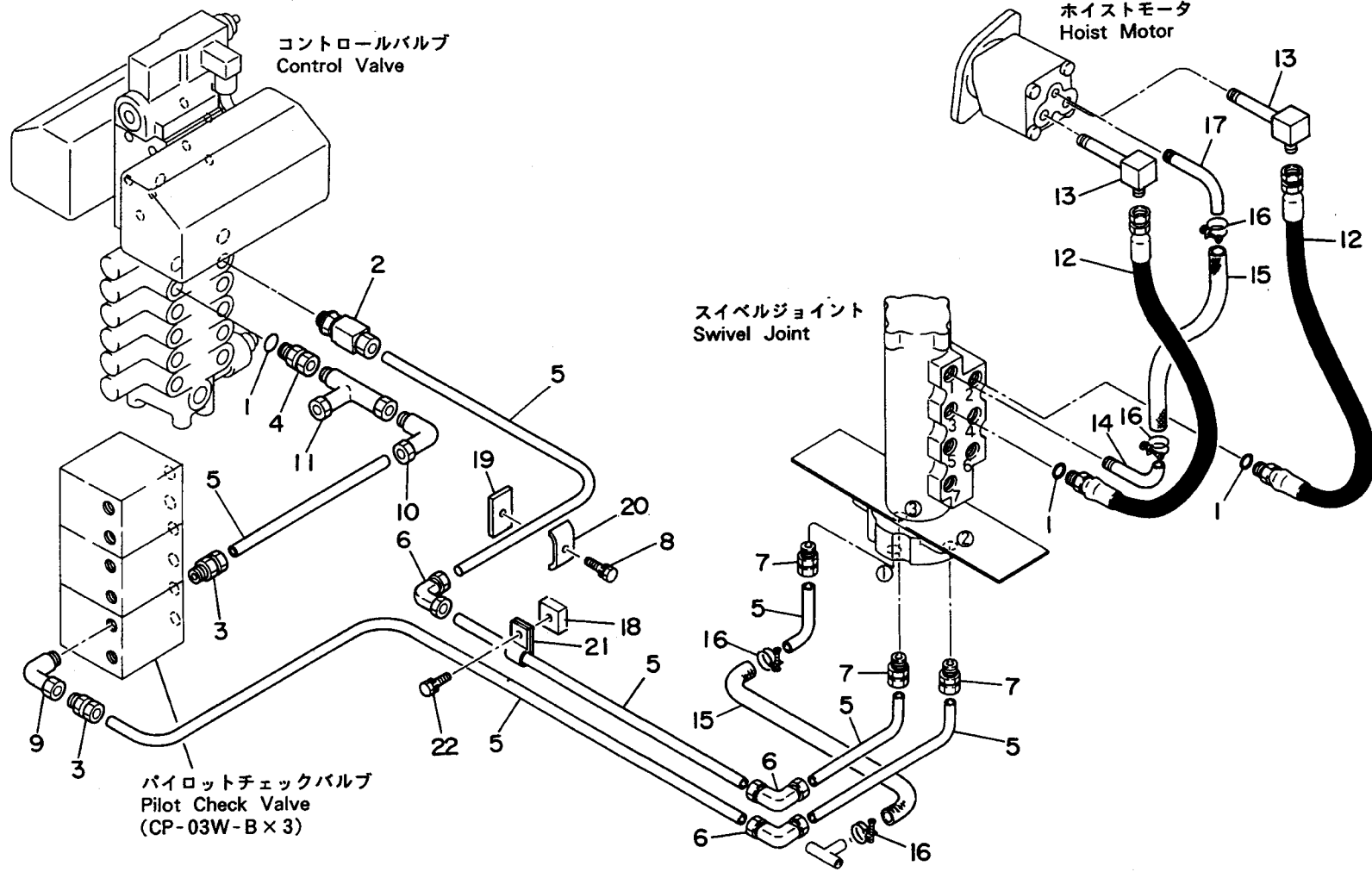


Fig. 8-2 PIPING (Hoist motor)

KEY No.	PARTS No.	PARTS NAME	Q · t y	M A R K	SERIAL No.	NOTE	KEY No.	PARTS No.	PARTS NAME	Q · t y	M A R K	SERIAL No.	NOTE
1~22	☆	Piping (Hoist motor)	1 set	△			19	085C 65020	Plate	1			
1	7311 91014	Ring-"O"	3				20	0138 62030	Clamp-pipe	1			
2	7702 90035	Joint	1				21	6022 11051	Clamp	1			
3	728S 05049	Connector (M)	2				22	7111 06010	Bolt	1			
4	770A 08J06	Adapter (F) (M)	1										
5	77P4 12015	Pipe	ℓ			φ 12							
6	7281 51200	Elbow	3										
7	728S 57041	Connector	3										
8	7111 10025	Bolt	1										
9	6020 05031	Elbow (F) (M)	1										
10	7281 91203	Long nipple-elbow	1										
11	0138 62010	Joint	1										
12	7701 13034	Hose-pressure	2										
13	7702 90038	Joint	2										
14	0143 62022	Joint-hose	1										
15	77V3 12000	Hose-vinyl	ℓ			φ 12							
16	7600 00867	Band-hose	4			φ 19							
17	0182 62050	Joint-hose	1										
18	08V8 65070	Bracket (2)	1										

Fig. 8-3 PIPING (Extension cylinder)

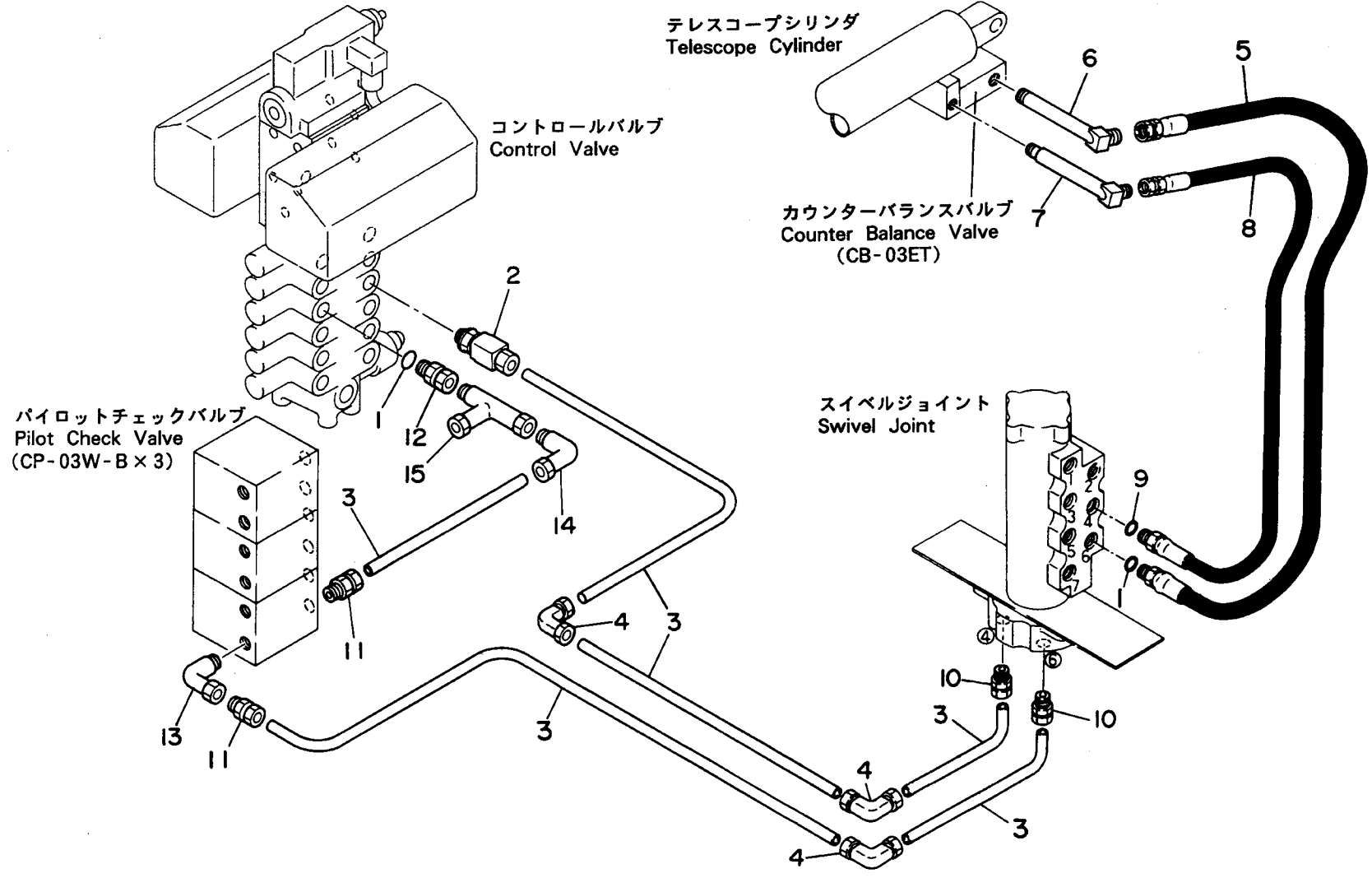


Fig. 8-3 PIPING (Extension cylinder)

KEY No.	PARTS No.	PARTS NAME	Q t y	M A R K	SERIAL No.	NOTE	KEY No.	PARTS No.	PARTS NAME	Q t y	M A R K	SERIAL No.	NOTE
1~15	☆	Piping (Extension cylinder)	1	set	△								
1	7311 91014	Ring-"O"	2										
2	7702 90035	Joint	1										
3	77P4 12015	Pipe	ℓ			φ 12							
4	7281 51200	Elbow	3										
5	7701 13033	Hose-pressure, nylon	1										
6	08H6 65020	Joint	1										
7	08H6 65010	Joint	1										
8	7701 12019	Hose-pressure, nylon	1										
9	7311 91011	Ring-"O"	1										
10	728S 57041	Connector	2										
11	728S 05049	Connector (M)	2										
12	770A 08J06	Adapter (F) (M)	1										
13	6020 05031	Elbow (F) (M)	1										
14	7281 71203	Nipple-elbow	1										
15	0138 62010	Joint	1										

Fig. 8-4 PIPING (Swing motor)

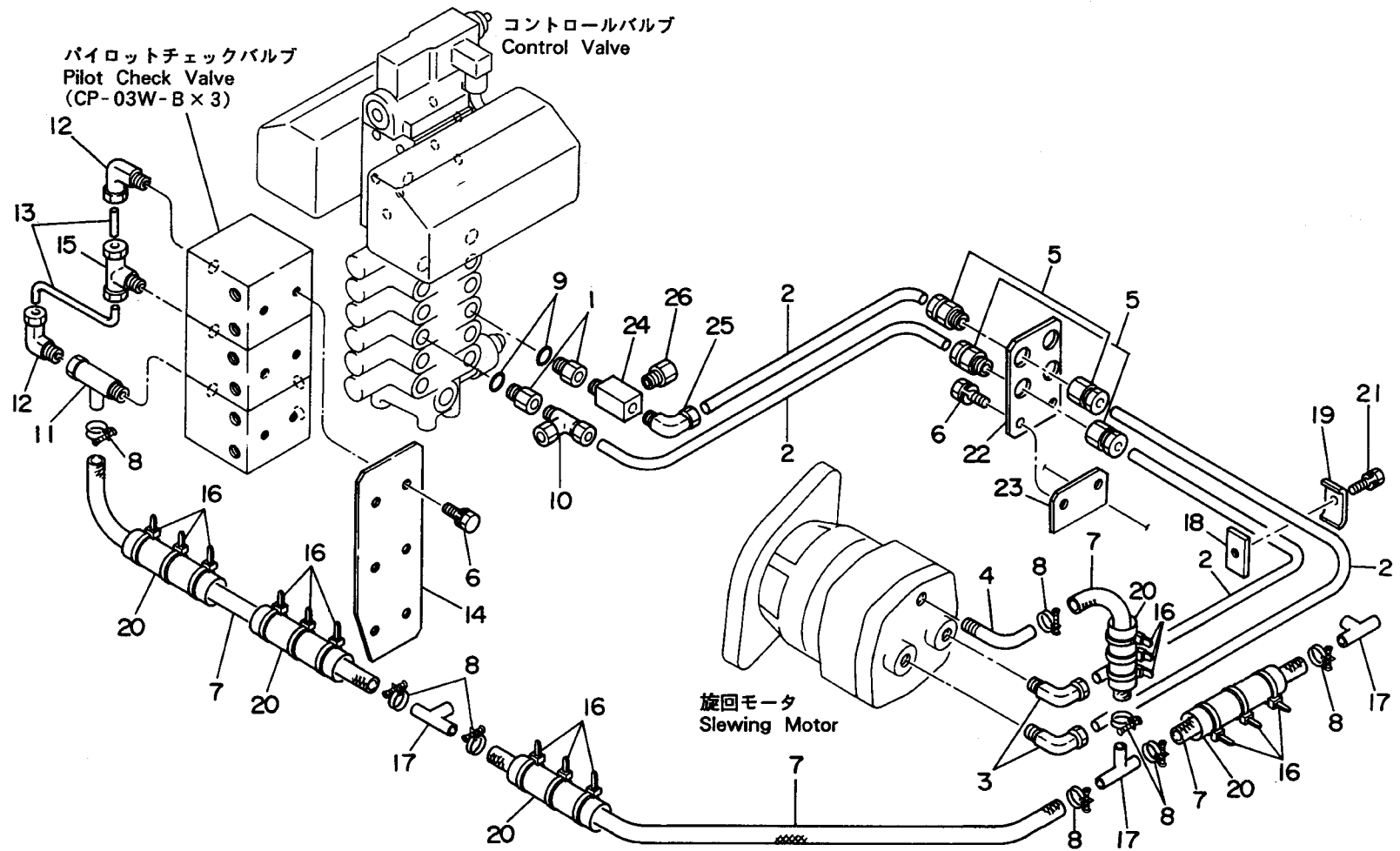


Fig.8-4 PIPING (Swing motor)

KEY No.	PARTS No.	PARTS NAME	Q t y	M A R K	SERIAL No.	NOTE	KEY No.	PARTS No.	PARTS NAME	Q t y	M A R K	SERIAL No.	NOTE
1~26	☆	Piping (Swing motor)	1 set	△			19	0138 62030	Clamp-pipe	1			
1	7702 40014	Adapter (F) (M)	2				20	01B1 62020	Plate-vinyl chloride	5			
2	77P4 10012	Pipe	ℓ			φ 10	21	7111 10025	Bolt	1			
3	7281 71003	Nipple-elbow	2				22	08V8 65030	Plate (3)	1			
4	0800 62030	Joint-hose	1				23	08V8 65040	Plate (4)	1			
5	7282 91000	Union-clamping	2				24	01S0 73010	Joint	1			
6	7141 08015	Bolt & Washer	8				25	7281 71002	Nipple-elbow	1			
7	77V3 12000	Hose-vinyl	ℓ			φ 12	26	7280 51002	Connector	1			
8	7600 00867	Band-hose	8			φ 19							
9	7311 91014	Ring-"O"	2										
10	7282 71002	Nipple-tee	1										
11	01S0 73020	Joint	1										
12	7281 70802	Nipple-elbow	2										
13	77P4 08010	Pipe	ℓ			φ 8							
14	08V8 65051	Plate (5)	1										
15	7282 50802	Nipple-tee	1										
16	7505 16001	Band-wire	15										
17	0802 73030	Joint-hose	3										
18	085C 65020	Plate	1										

⊕...Interchangeable.

⊕...New parts can interchangeable of old parts, but not vice-versa.

⊗...Not interchangeable.

△...Part not for sale.

D...Disuse.

Q...Quantity

Fig. 8-5 PIPING (Outrigger)

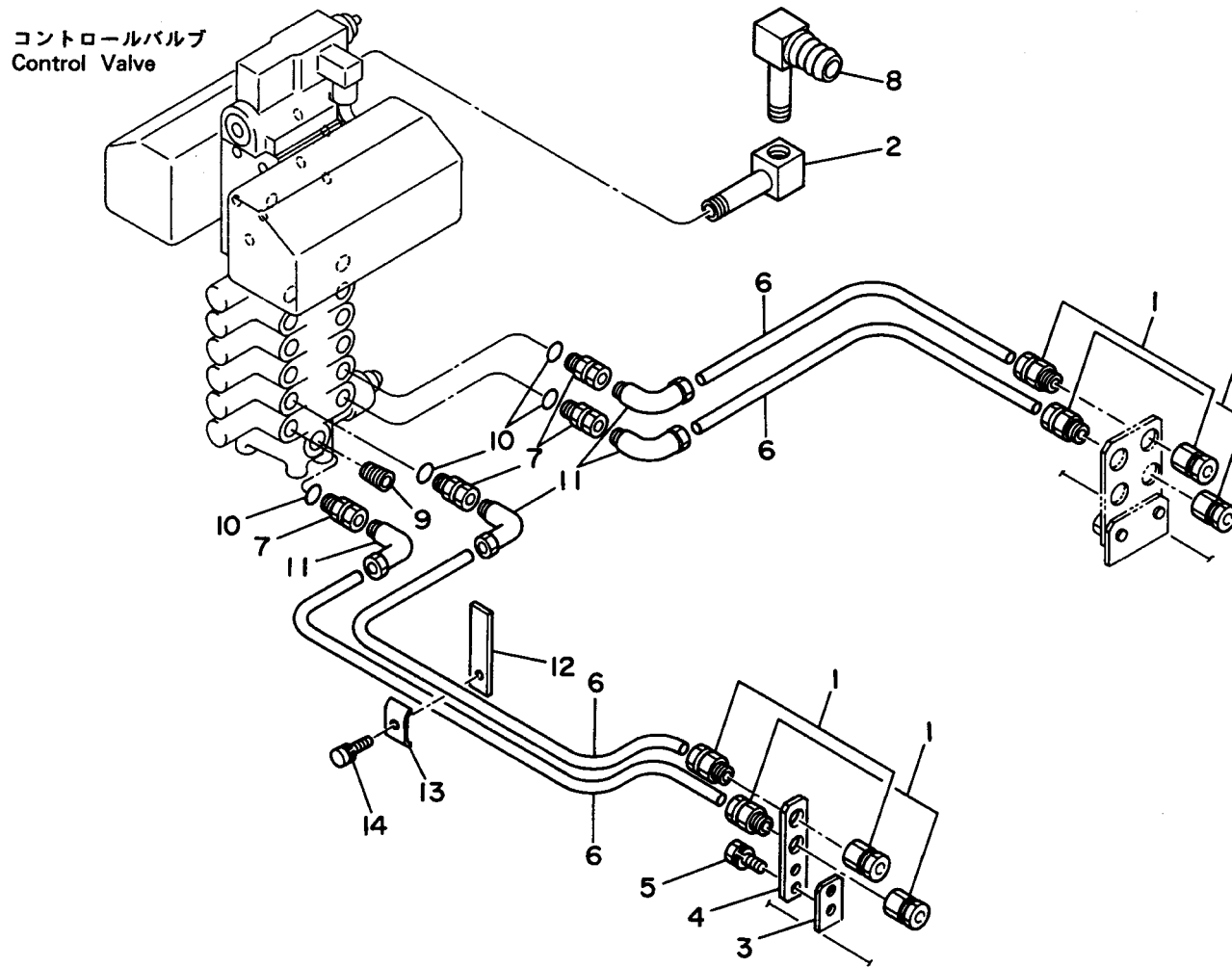


Fig. 8-5 PIPING (Outrigger)

KEY No.	PARTS No.	PARTS NAME	Q · t y	M A R K	SERIAL No.	NOTE	KEY No.	PARTS No.	PARTS NAME	Q · t y	M A R K	SERIAL No.	NOTE
1~14	☆	Piping (Outrigger)	1 set	△									
1	7288 61002	Socket-clamping	4										
2	0813 65011	Joint	1										
3	08V8 65010	Plate (1)	1										
4	08V8 65020	Plate (2)	1										
5	7141 08015	Bolt & Washer	2										
6	77P4 10012	Pipe	ℓ			φ 10							
7	7702 40014	Adapter (F) (M)	4										
8	0813 65020	Joint-hose	1										
9	7287 20400	Plug	1										
10	7311 91014	Ring-"O"	4										
11	7281 71002	Nipple-elbow	4										
12	08V8 65060	Bracket (1)	1										
13	0138 62030	Clamp-pipe	1										
14	7111 10025	Bolt	1										

↔...Interchangeable.

↔...New parts can interchangeable of old parts, but not vice-versa.

⚡...Not interchangeable.

△...Part not for sale.

D...Disuse.

Q...Quantity

Fig. 8-6 PIPING (Remote control)

KEY No.	PARTS No.	PARTS NAME	Q · t y	M A R K	SERIAL No.	NOTE	KEY No.	PARTS No.	PARTS NAME	Q · t y	M A R K	SERIAL No.	NOTE
1~14	☆	Piping (Remote control)	1 set	△									
1	0800 62030	Joint-hose	1										
2	7287 20300	Plug	1										
3	77P4 10012	Pipe	ℓ			φ 10							
4	7280 51003	Connector (M)	1										
5	728S 05027	Connector-orifice	2										
6	7280 51002	Connector (M)	12										
7	728S 05032	Connector (M)	1										
8	77V3 12000	Hose-vinyl	ℓ			φ 12							
9	7600 00867	Band-hose	2			φ 19							
10	7505 16001	Band-wire	2										
11	08V8 65080	Bracket (3)	1										
12	6022 11041	Clamp	1										
13	01B1 62020	Plate-vinyl chloride	1										
14	7111 06010	Bolt	1										

↔...Interchangeable.

↔...New parts can interchange of old parts, but not vice-versa.

↔...Not interchangeable.

△...Part not for sale.

D...Disuse.

Q...Quantity

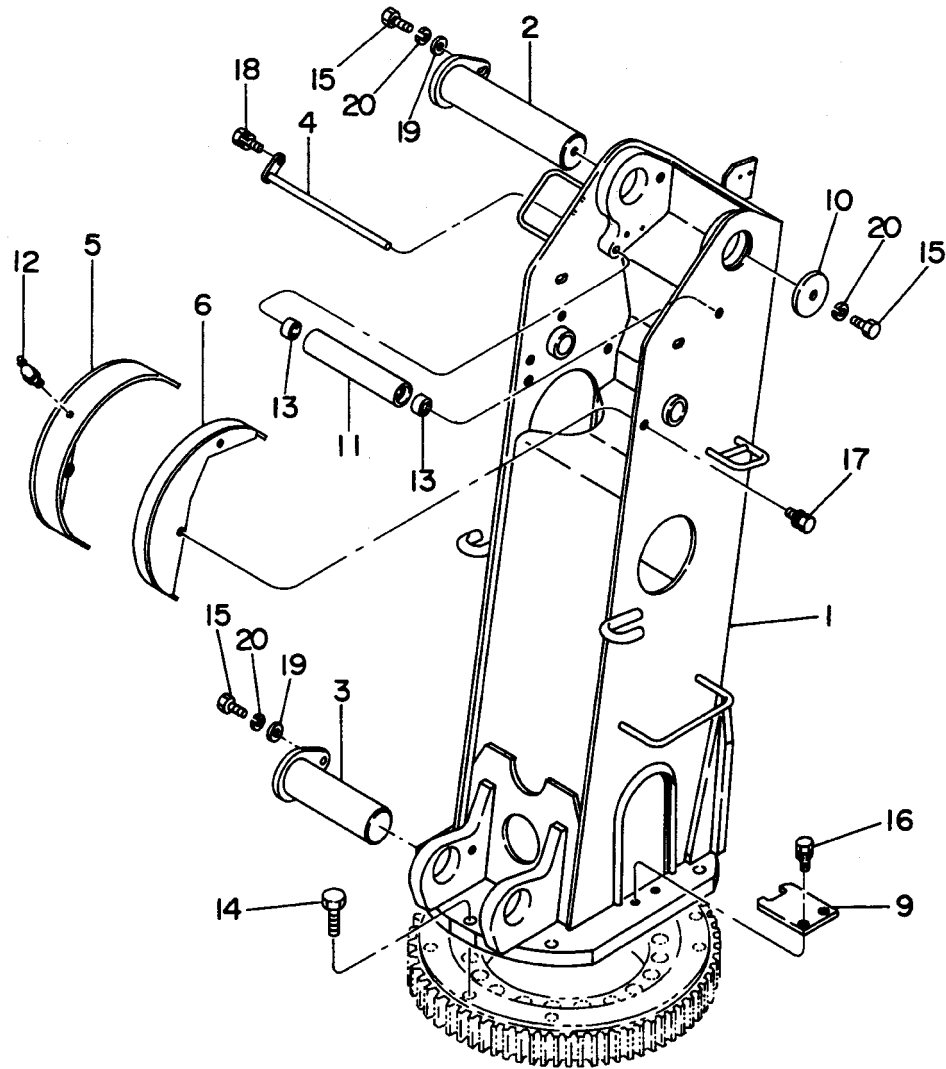


Fig. 9 COLUMN ASS'Y

KEY No.	PARTS No.	PARTS NAME	Q t y	M A R K	SERIAL No.	NOTE	KEY No.	PARTS No.	PARTS NAME	Q t y	M A R K	SERIAL No.	NOTE
1~20	08V8 51000	Column Ass'y	1 set	△			19	7221 12120	Washer-plain	2			
1	08V8 51010	Column	1				20	7222 11120	Washer-spring	3			
2	0805 51021	Pin (50)	1										
3	0143 51130	Pin	1										
4	08H6 51020	Pin (10)	1										
5	08H6 51030	Cover (1)	1										
6	08H6 51040	Cover (2)	1										
7	☆												
8	☆												
9	083G 51050	Stopper	1										
10	0805 51060	Plate	1										
11	08H6 51050	Roller	1										
12	7243 34000	Nipple-grease	1										
13	7260 60002	Bearing	2										
14	08H6 51060	Bolt	11										
15	7119 12025	Bolt	3										
16	7141 12020	Bolt & Washer	2										
17	7141 10016	Bolt & Washer	4										
18	7141 08018	Bolt & Washer	1										

⊕...Interchangeable.

⊕...New parts can interchange of old parts, but not vice-versa.

⊗...Not interchangeable.

△...Part not for sale.

D...Disuse.

Q...Quantity

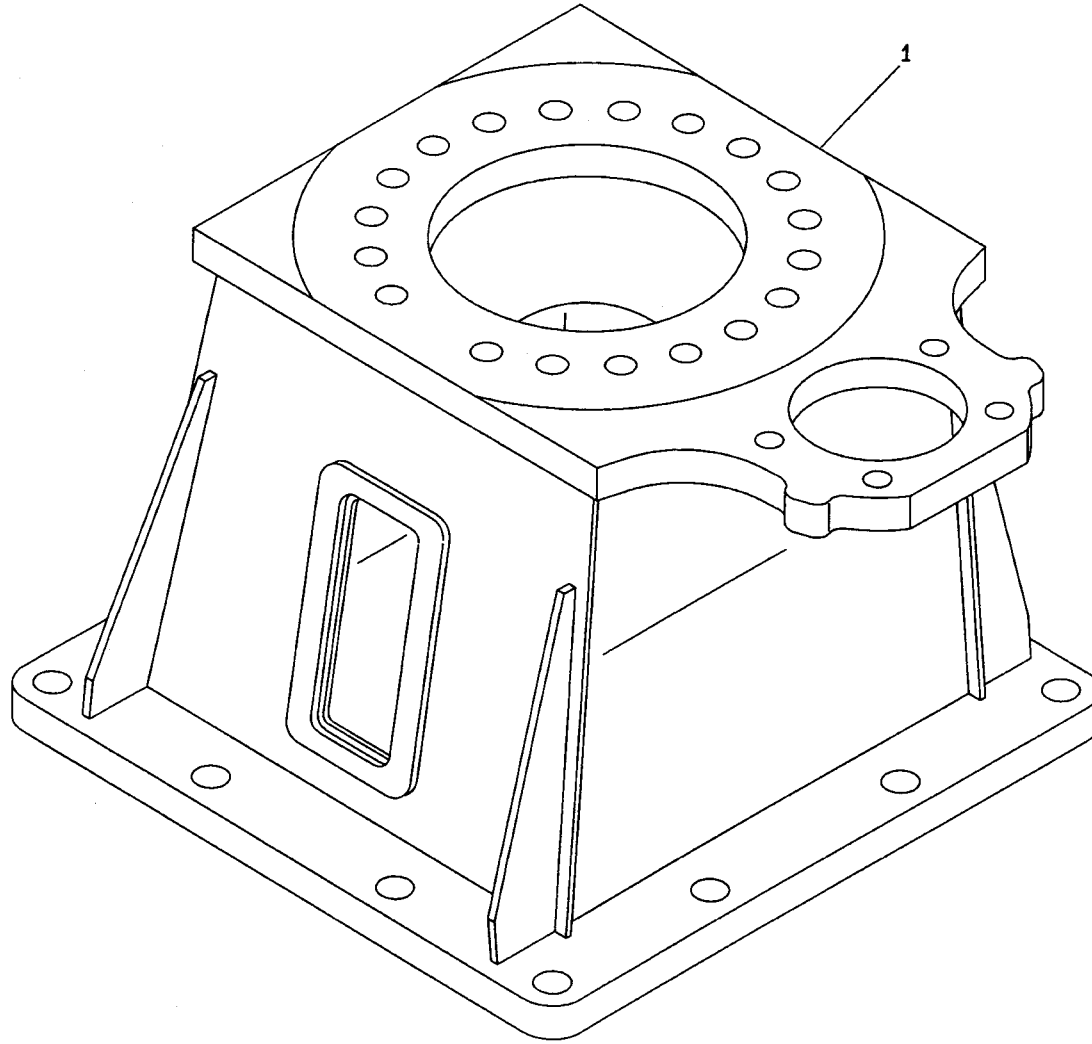


Fig. 10 BASE ASS'Y

KEY No.	PARTS No.	PARTS NAME	Q · t y	M A R K	SERIAL No.	NOTE	KEY No.	PARTS No.	PARTS NAME	Q · t y	M A R K	SERIAL No.	NOTE
1	08V8 56000	Base Ass'y	1 set	△									
1	08V8 56012	Base	1										

Q...Interchangeable.

Q...New parts can interchangeable of old parts, but not vice-versa.

X...Not interchangeable.

△...Part not for sale.

D...Disuse.

Q...Quantity

Fig. 11 SWING DEVICE ASS'Y

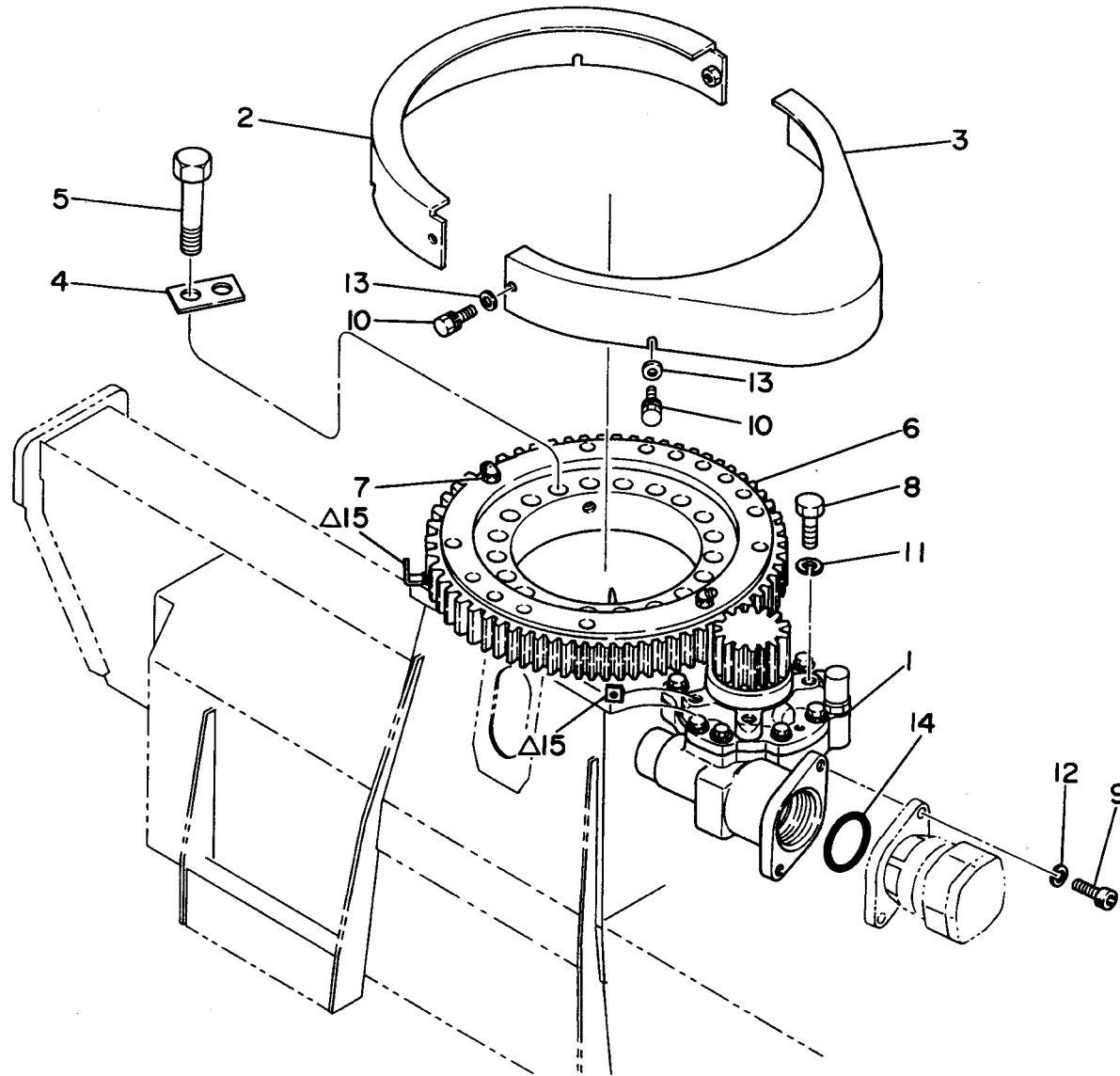


Fig. 11 SWING DEVICE ASS'Y

KEY No.	PARTS No.	PARTS NAME	Q · t y	M A R K	SERIAL No.	NOTE	KEY No.	PARTS No.	PARTS NAME	Q · t y	M A R K	SERIAL No.	NOTE
1~15	08H6 41000	Swing device Ass'y	1 set	△									
1	08H6 41011	Swing gear box Ass'y See Fig. 12	1										
2	0805 41022	Cover (1)	1										
3	0805 41032	Cover (2)	1										
4	0143 41050	Stopper	10										
5	0882 41010	Bolt	19										
6	7405 30032	Table-turn	1										
7	7243 34000	Nipple-grease	2										
8	7161 16050	Bolt	4										
9	7161 14035	Bolt	2										
10	7141 08018	Bolt & Washer	6										
11	7222 11160	Washer-spring	4										
12	7222 11140	Washer-spring	2										
13	7221 12080	Washer-plain	6										
14	7311 72100	Ring- "O"	1										
15	☆	Plate (32)	4	△									

⊕...Interchangeable.

⊕...New parts can interchangeable of old parts, but not vice-versa.

⊗...Not interchangeable.

△...Part not for sale.

D...Disuse.

Q...Quantity

Fig. 12 SWING GEAR BOX ASS'Y

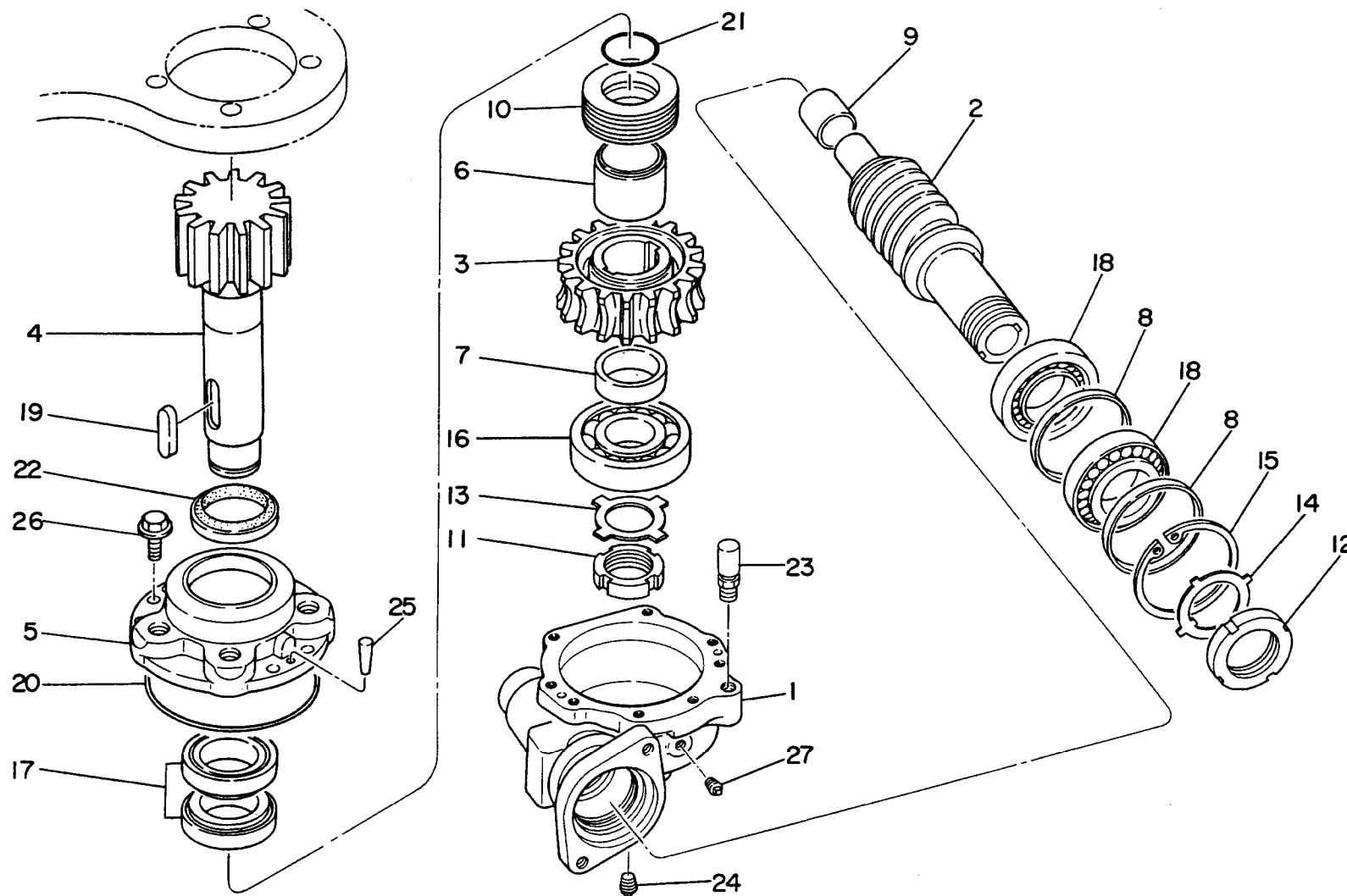


Fig.12 SWING GEAR BOX ASS'Y

KEY No.	PARTS No.	PARTS NAME	Q t y	M A R K	SERIAL No.	NOTE	KEY No.	PARTS No.	PARTS NAME	Q t y	M A R K	SERIAL No.	NOTE
1~27	08H6 41011	Swing gear box Ass'y	1	set			19	7332 12044	Key	2			
1	DC41 01010	Casing	1				20	7701 70031	Ring-"O"	1			
2	K841 05023	Shaft-warm	1				21	7311 72060	Ring-"O"	1			
3	K841 05030	Wheel-warm	1				22	8220 56070	Seal-dust	1			
4	K841 05040	Shaft-gear	1				23	0138 41120	Breather	1			
5	K841 01045	Housing-bearing	1				24	7252 60300	Plug	1			
6	K841 05050	Collar (1)	1				25	7232 10030	Pin-taper	2			
7	K841 05060	Collar (2)	1				26	7601 29042	Bolt-flange	8			
8	K841 01070	Collar (3)	2				27	7252 60100	Plug	1			
9	F241 01080	Bushing (1)	1										
10	K841 01080	Nut	1										
11	7243 10900	Nut-crown	1										
12	7243 10800	Nut-crown	1										
13	7243 20900	Washer-crown	1										
14	7243 20800	Washer-crown	1										
15	7241 20800	Ring-snap	1										
16	7260 62090	Bearing-ball	1										
17	7263 22100	Bearing-taper roller	2										
18	7263 02080	Bearing-taper roller	2										

⊕...Interchangeable.

⊕...New parts can interchangeable of old parts, but not vice-versa.

⊗...Not interchangeable.

△...Part not for sale.

D...Disuse.

Q...Quantity

Fig. 13 HOIST WINCH ASS'Y

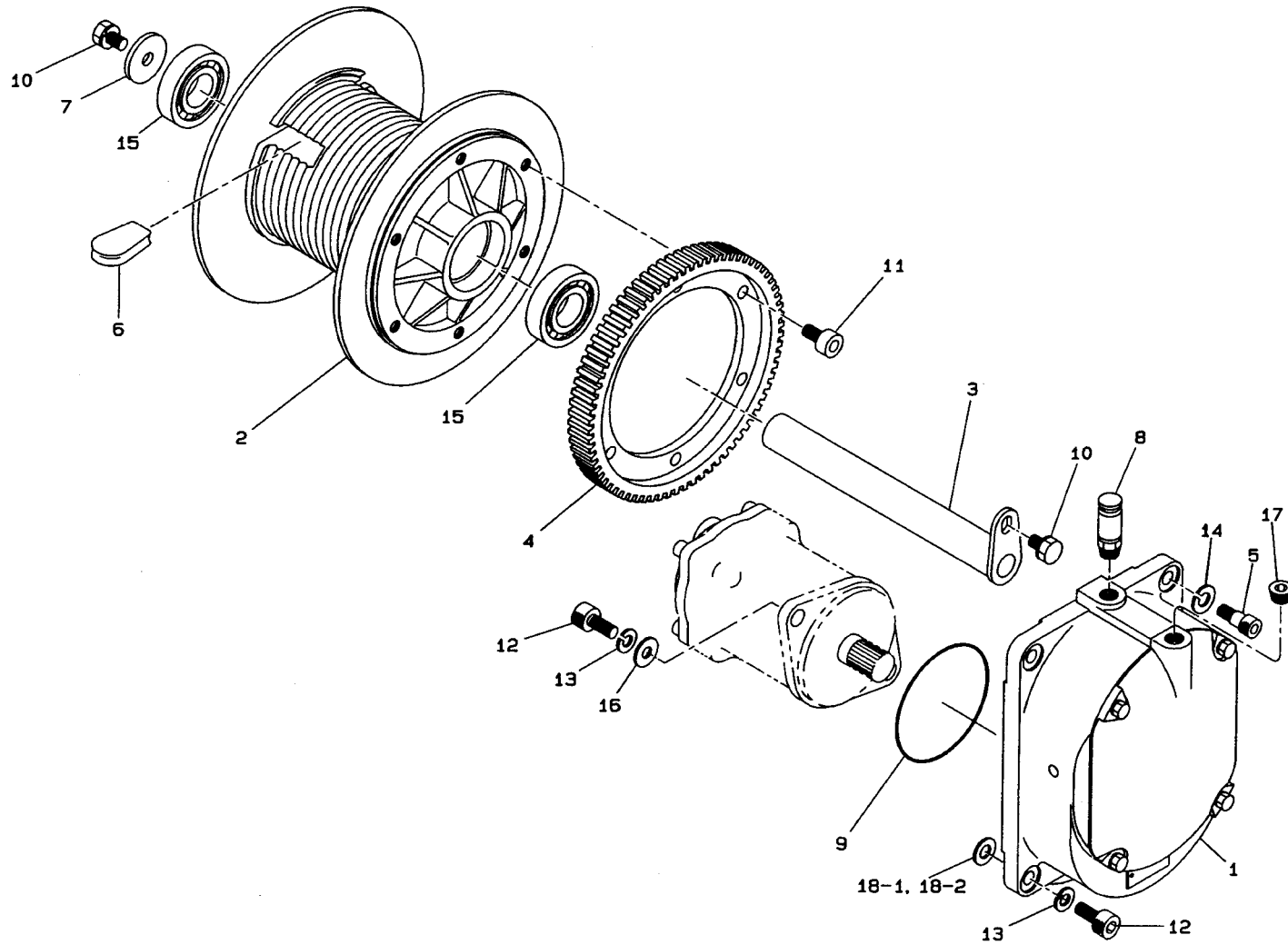


Fig. 13 HOIST WINCH ASS'Y

KEY No.	PARTS No.	PARTS NAME	Q t y	M A R K	SERIAL No.	NOTE	KEY No.	PARTS No.	PARTS NAME	Q t y	M A R K	SERIAL No.	NOTE
1~17	08H6 31000	Hoist winch Ass'y	1				18-1	0143 31060	Shim (1)	1			t = 0.4
1	08H6 31011	Winch gear box Ass'y See Fig. 14	1				18-2	0143 31070	Shim (2)	1			t = 0.8
2	080B 31010	Drum	1			φ 135							
3	0805 31030	Pin (30)	1										
4	0143 31040	Gear (4)	1										
5	0143 31051	Bolt-set	1										
6	0123 32090	Wedge	1										
7	0119 51060	Plate	1										
8	0138 41120	Breather	1										
9	7311 72080	Ring-"O"	1										
10	7141 10016	Bolt & Washer	2										
11	7161 10020	Bolt	6										
12	7161 10030	Bolt	5										
13	7222 11100	Washer-spring	5										
14	7222 11120	Washer-spring	1										
15	7260 62062	Bearing	2										
16	7221 12100	Washer-plain	2										
17	7287 20300	Plug	1										

⊕...Interchangeable.

⊕...New parts can interchange of old parts, but not vice-versa.

⊖...Not interchangeable.

△...Part not for sale.

D...Disuse.

Q...Quantity

Fig. 14 WINCH GEAR BOX ASS'Y

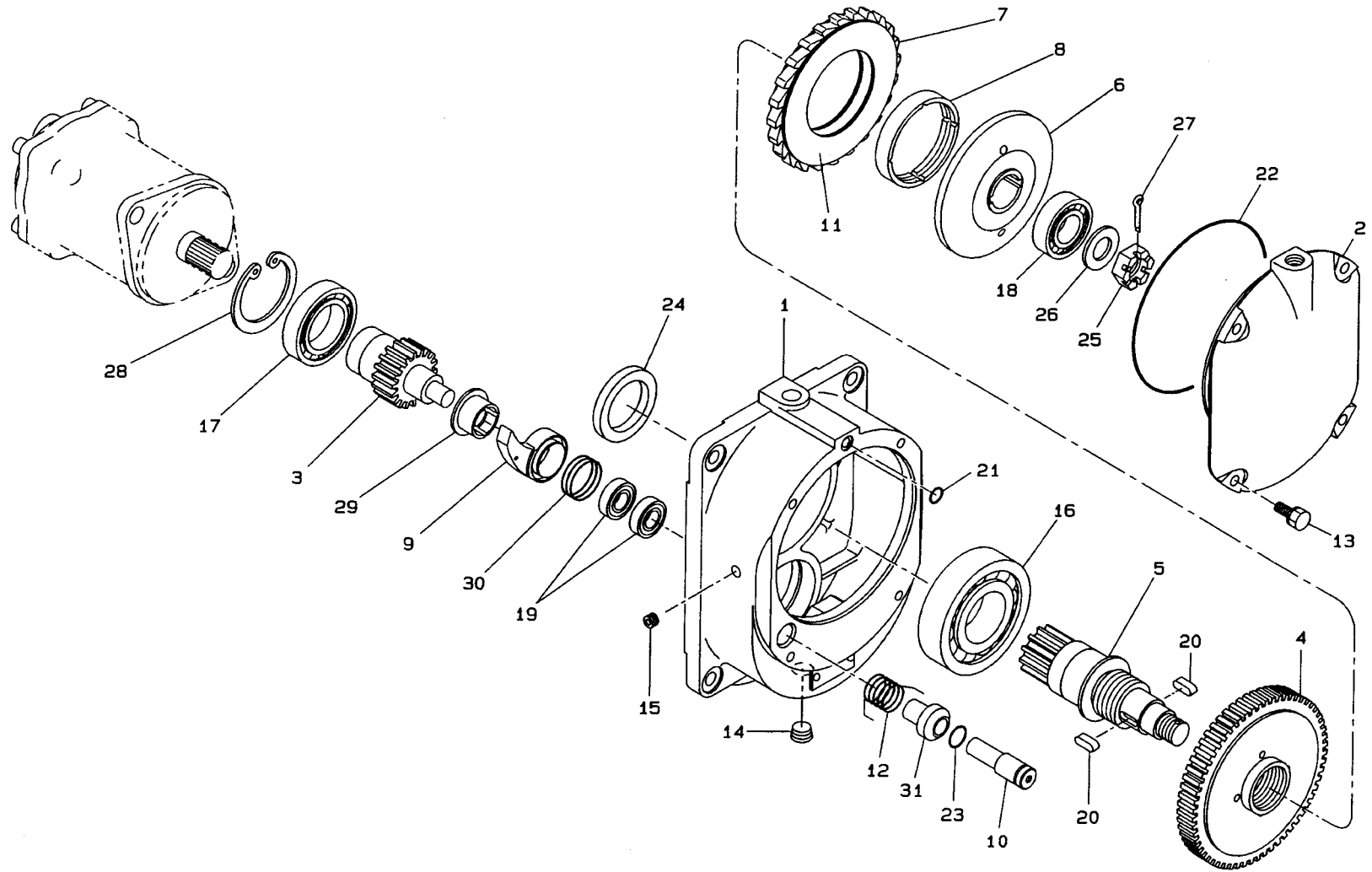


Fig. 14 WINCH GEAR BOX ASS'Y

KEY No.	PARTS No.	PARTS NAME	Q t y	M A R K	SERIAL No.	NOTE	KEY No.	PARTS No.	PARTS NAME	Q t y	M A R K	SERIAL No.	NOTE
1~31	08H6 31011	Winch gear box Ass'y	1				19	7602 10092	Bearing	2			
1	DC31 01010	Casing	1				20	7331 07020	Key	2			
2	DC31 01020	Cover	1				21	7311 71010	Ring-"O"	1			
3	N131 01030	Gear (1)	1				22	7311 72145	Ring-"O"	1			
C 4	0125 31074	Gear (2)	1				23	7311 74016	Ring-"O"	1			
C 5	DC31 01030	Shaft-gear	1				24	8520 45062	Seal-oil	1			
6	0125 31122	Disc	1				25	7213 31200	Nut-castle	1			
A 7	0125 31111	Wheel-ratchet	1				26	7221 12200	Washer-plain	1			
A 8	0125 31144	Bushing	1				27	7231 04030	Pin-split	1			
B 9	N131 03020	Pawl	1				28	7241 20680	Ring-snap	1			
10	DC31 01040	Pin-pawl	1				B 29	N131 01070	Bushing	1			
11	V131 01050	Brake shoe Ass'y	2				30	N131 03030	Spring	1			
12	N131 01060	Spring	1				31	N131 01091	Collar	1			
13	7141 08020	Bolt & Washer	4										
14	7287 20300	Plug	1				A	N131 03810	Ratchet wheel Ass'y	1			
15	7287 20100	Plug	1				B	N131 03820	Pawl Ass'y	1			
16	7260 63090	Bearing	1				C	DC31 01810	Gear shaft Ass'y	1			
17	7260 60080	Bearing	1										
18	7260 62050	Bearing	1										

Fig. 15 BOOM LIFT CYLINDER ASS'Y

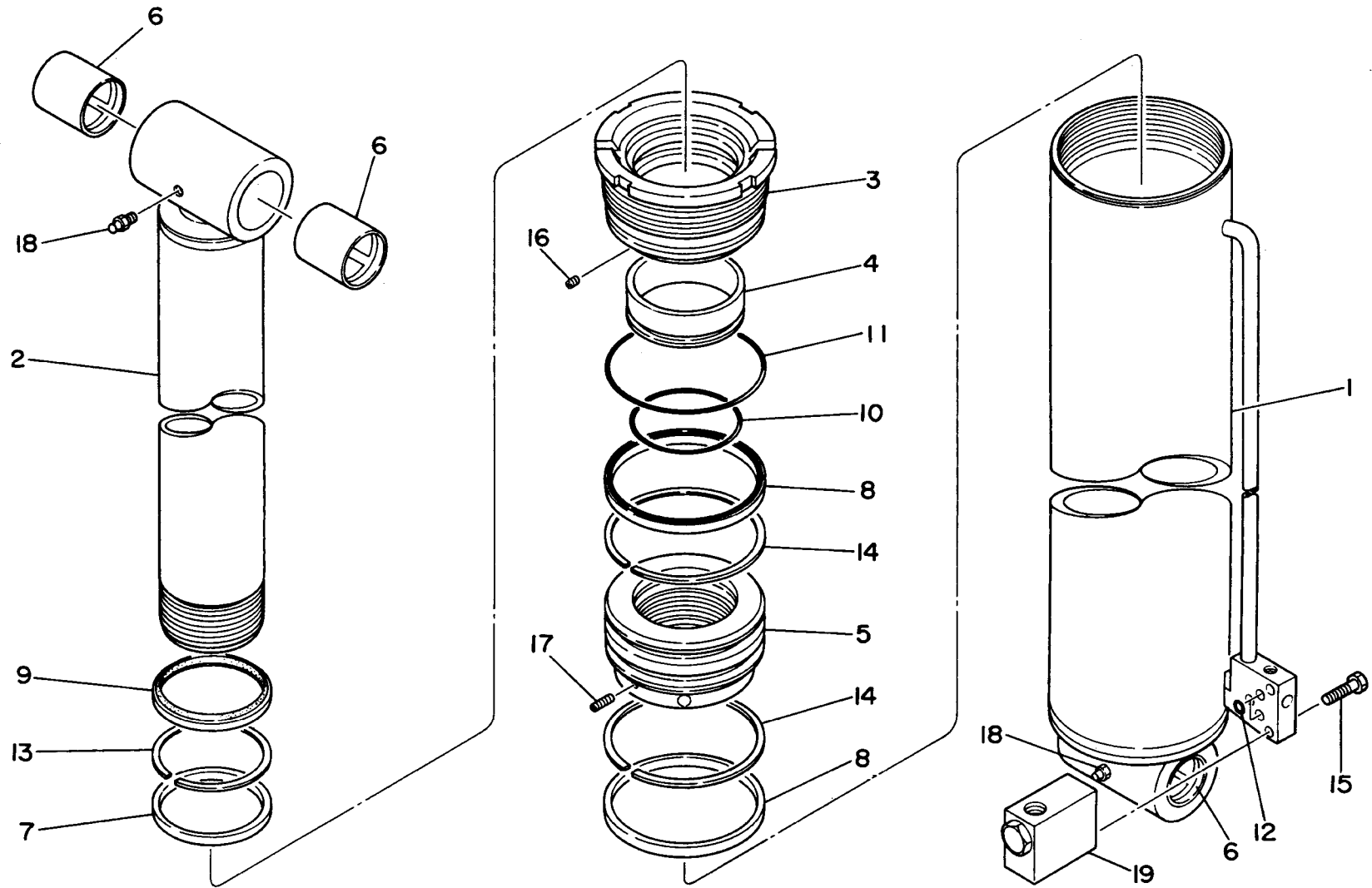


Fig. 15 BOOM LIFT CYLINDER ASS'Y

KEY No.	PARTS No.	PARTS NAME	Q t y	M A R K	SERIAL No.	NOTE	KEY No.	PARTS No.	PARTS NAME	Q t y	M A R K	SERIAL No.	NOTE
1~18	08H6 11000	Boom lift cylinder Ass'y	1				19	6018 31000	Boom lift cylinder holding valve Ass'y	1			CB-03ED-1
1	08H6 11010	Tube Ass'y (1)	1						See Fig. HP4				
2	08H6 11020	Rod Ass'y (1)	1										
3	0805 11031	Gland	1										
4	0805 11040	Bushing-gland	1				S	9180 511P0	Packing set	1			
5	0805 11050	Piston	1										
6	0143 11061	Bushing	4										
S 7	8420 95110	Packing	1										
S 8	8231 30145	Packing	2										
S 9	8300 95109	Seal-dust	1										
S 10	7311 92095	Ring- "O"	1										
S 11	7311 92140	Ring- "O"	1										
S 12	7311 91016	Ring- "O"	2										
S 13	8280 95110	Ring-back up	1										
S 14	8281 30145	Ring-back up	2										
15	7117 08030	Bolt	3										
16	7049 06008	Bolt	2										
17	7049 08025	Bolt	1										
18	7243 32000	Nipple-grease	2										

Fig. 16 SWIVEL JOINT ASS'Y

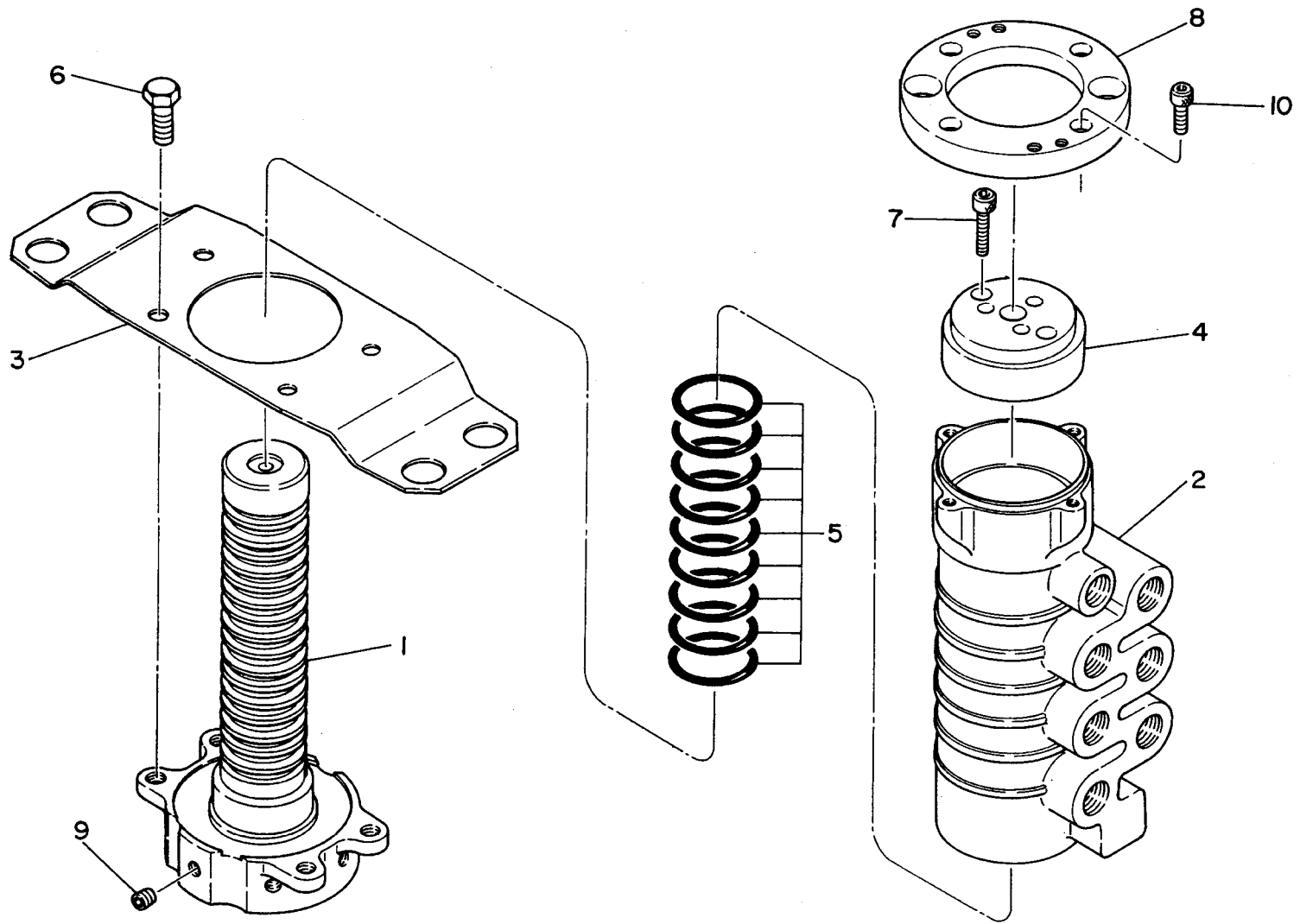


Fig. 16 SWIVEL JOINT ASS'Y

KEY No.	PARTS No.	PARTS NAME	Q · t y	M A R K	SERIAL No.	NOTE	KEY No.	PARTS No.	PARTS NAME	Q · t y	M A R K	SERIAL No.	NOTE
1~10	0890 43000	Swivel joint Ass'y	1 set										
1	0805 43011	Part-inner	1										
2	0805 43021	Part-outer	1										
3	0805 43030	Flange	1										
4	0890 43010	Plate (1)	1										
5	8374 54062	Packing	9										
6	7601 29043	Bolt	4										
7	7161 06025	Bolt	2										
8	0890 43020	Plate (2)	1										
9	7287 20200	Plug	17										
10	7161 06015	Bolt	4										

⊙...Interchangeable.

⊙...New parts can interchangeable of old parts, but not vice-versa.

⊗...Not interchangeable.

△...Part not for sale.

D...Disuse.

Q...Quantity

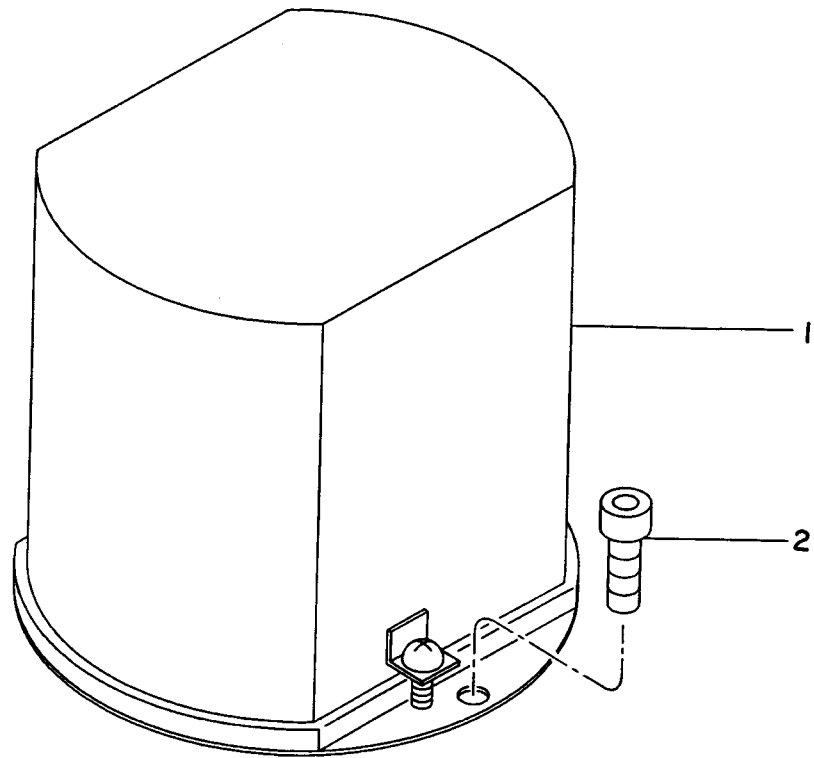


Fig. 17 SLIP RING ASS'Y

KEY No.	PARTS No.	PARTS NAME	Q · t y	M A R K	SERIAL No.	NOTE	KEY No.	PARTS No.	PARTS NAME	Q · t y	M A R K	SERIAL No.	NOTE
1~2	08V1 93000	Slip ring Ass'y	1 set										
1	7505 07015	Ring-slip	1										
2	7161 06015	Bolt	2										

⊕...Interchangeable.

⊕...New parts can interchangeable of old parts, but not vice-versa.

⊗...Not interchangeable.

△...Part not for sale.

D...Disuse.

Q...Quantity

Fig.18 CONTROL ASS'Y

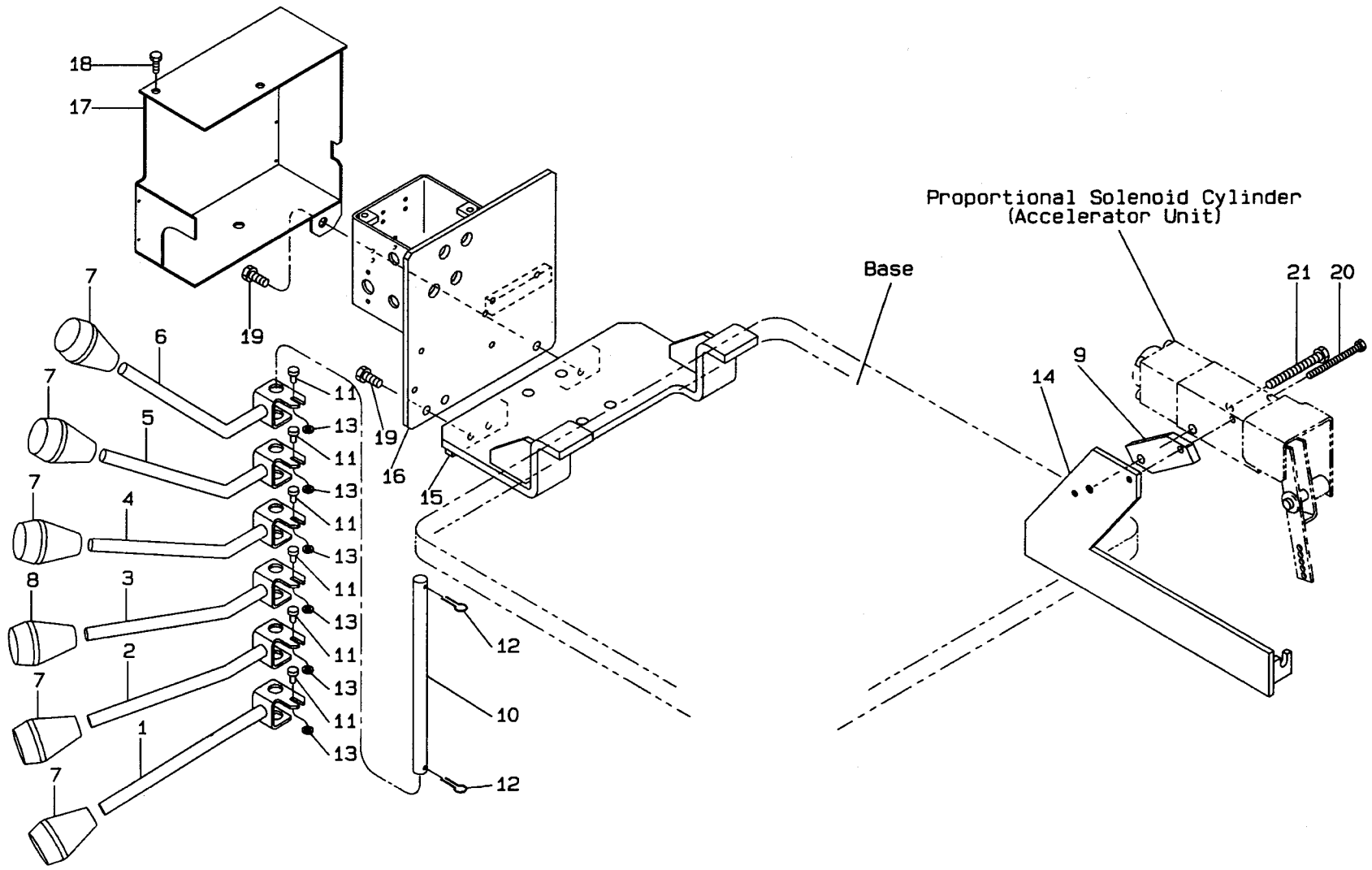


Fig. 18 CONTROL ASS'Y

KEY No.	PARTS No.	PARTS NAME	Q t y	M A R K	SERIAL No.	NOTE	KEY No.	PARTS No.	PARTS NAME	Q t y	M A R K	SERIAL No.	NOTE
1~21	08V8 59000	Control Ass'y	1 set	△			19	7111 08016	Bolt	3			
1	08V8 59010	Lever Ass'y (1)	1				20	7111 06070	Bolt	1			
2	08V8 59020	Lever Ass'y (2)	1				21	7111 08070	Bolt	1			
3	08V8 59030	Lever Ass'y (3)	1										
4	08V8 59040	Lever Ass'y (4)	1										
5	08V8 59050	Lever Ass'y (5)	1										
6	08V8 59060	Lever Ass'y (6)	1										
7	080B 58010	Knob (black)	5										
8	080B 58020	Knob (red)	1										
9	08V8 59070	Spacer	1										
10	0143 53141	Pin (1)	1										
11	0805 58240	Pin (5)	6										
12	7231 04025	Pin-split	2										
13	7241 90050	Nut-push	6										
14	08V8 59081	Bracket	1										
15	08V8 59090	Bracket (1)	1										
16	08V8 59111	Bracket (2)	1										
17	08V8 59121	Cover	1										
18	7111 06014	Bolt	2										

⊕...Interchangeable. ⊕...New parts can interchangeable of old parts, but not vice-versa. ⊗...Not interchangeable. △...Part not for sale. D...Disuse. Q...Quantity 61

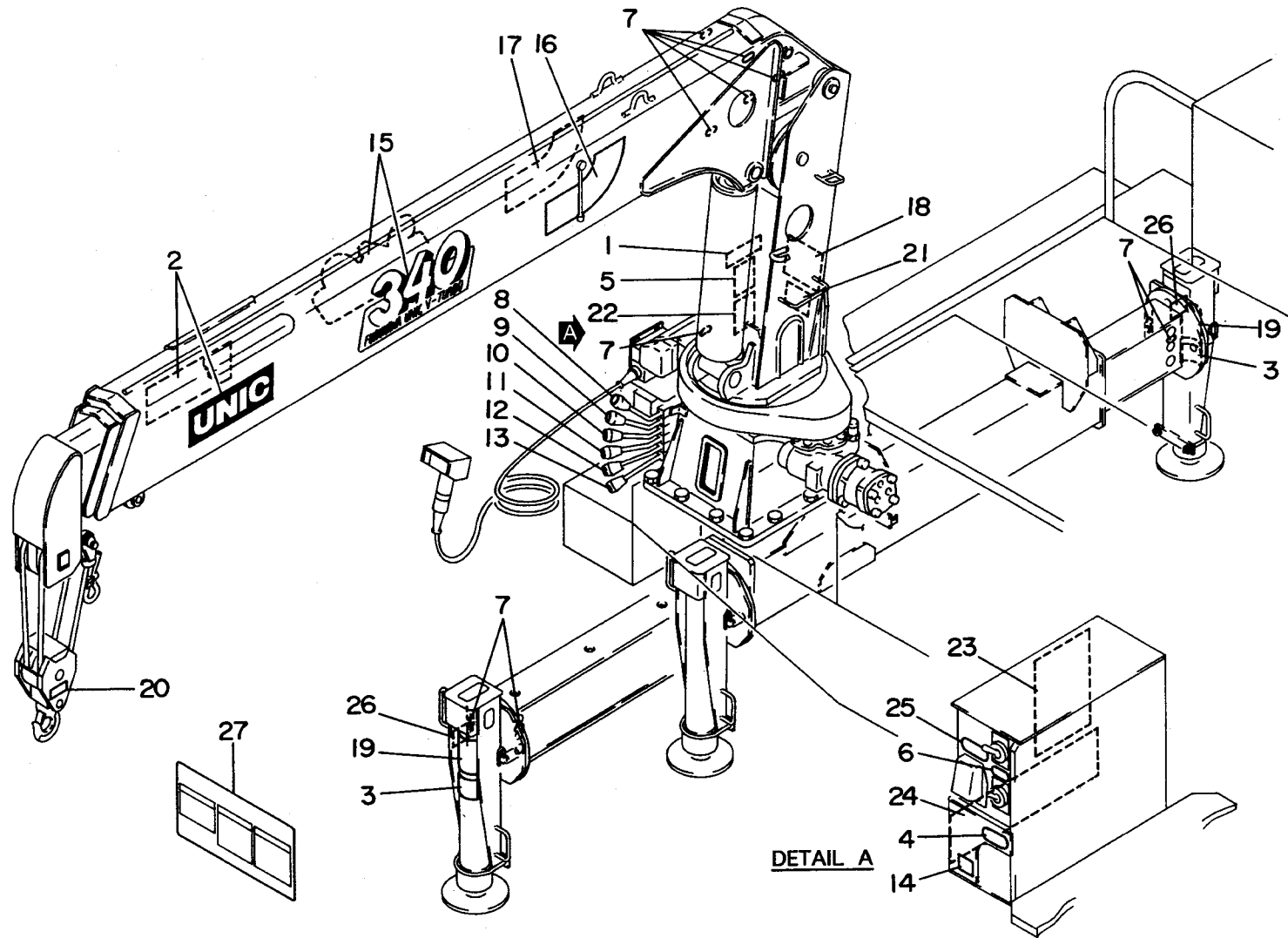


Fig. 19 PLACARD

KEY No.	PARTS No.	PARTS NAME	Q t y	M A R K	SERIAL No.	NOTE	KEY No.	PARTS No.	PARTS NAME	Q t y	M A R K	SERIAL No.	NOTE
1~27	08V8 83000	Placard	1	set	△		19	088F 81050	Placard(Danger, O/R operation)	2			
1	08V8 83010	Plate-model	1				20	08A4 81140	Placard (Hook)	2			
2	6021 05030	Placard "UNIC"	2				21	08A4 81130	Placard (Danger, Hoisting personnel)	2			
3	08V8 83040	Placard (Caution, O/R operation)	2				22	08A4 81090	Placard (Caution, Inspect Vehicle)	2			
4	6021 03291	Placard (Overwinding alarm)	1				23	08A4 81110	Placard (Danger, Two Blocking)	2			
5	0885 83040	Placard (Caution)	1				24	088F 81070	Placard (Replacement Waring)	2			
6	08V8 83020	Placard (Working lamp)	1				25	08J0 81240	Placard (Alarm)	1			
7	0805 81060	Placard (Grease)	13				26	0884 83070	Placard (Caution)	2			
8	080A 86010	Placard (Derrick)	1				27	08A4 81080	Placard (Operating instructions)	1			
9	080A 86020	Placard (Hoist)	1										
10	080A 86030	Placard (Boom)	1										
11	080B 81120	Placard (Swing)	1										
12	080A 86050	Placard (Outrigger street side)	1										
13	080A 86040	Placard (Outrigger curb side)	1										
14	08V8 83030	Placard (Emergency · Release)	1										
15	08H6 81010	Placard (340)	2										
16	08A4 81051	Placard (Boom Angle R.H)	1										
17	08A4 81061	Placard (Boom Angle L.H)	1										
18	088F 81090	Placard (Electrocution hazard)	2										

⊕...Interchangeable.

⊕...New parts can interchangeable of old parts, but not vice-versa.

⊗...Not interchangeable.

△...Part not for sale.

D...Disuse.

Q...Quantity

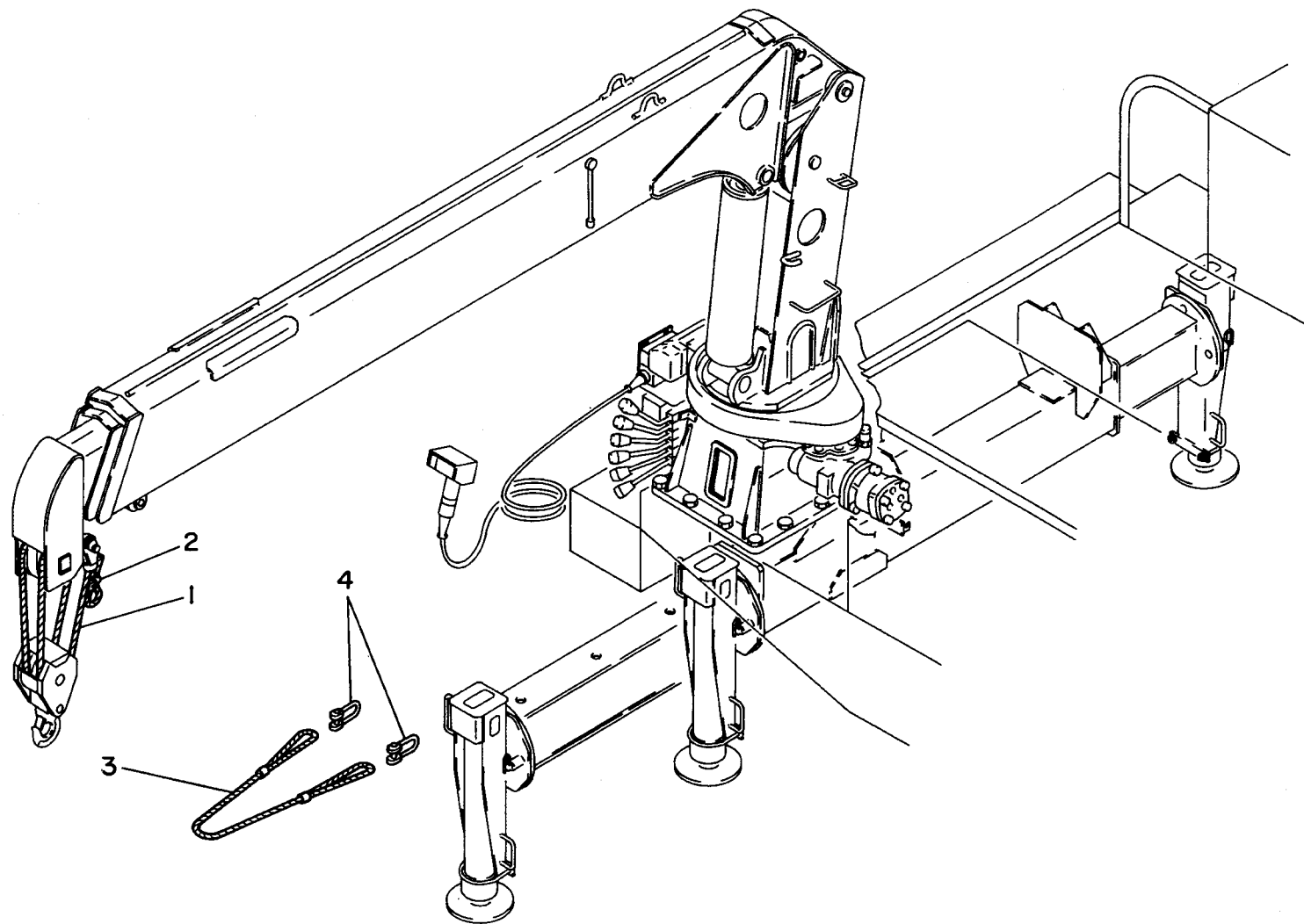


Fig. 20 EQUIPMENT

KEY No.	PARTS No.	PARTS NAME	Q · t y	M A R K	SERIAL No.	NOTE	KEY No.	PARTS No.	PARTS NAME	Q · t y	M A R K	SERIAL No.	NOTE
1~4	☆	Equipment	1 set	△									
1	7602 50184	Rope-wire	1			φ 8 × 50.5m							
2	7601 60064	Clip-wire	1										
3	0123 83021	Wire-hook	1			φ 8 × 1290 ℓ							
4	7602 90003	Shackle	2										

⊕...Interchangeable.

⊕...New parts can interchangeable of old parts, but not vice-versa.

⊗...Not interchangeable.

△...Part not for sale.

D...Disuse.

Q...Quantity

Fig. 21 REAR OUTRIGGER ASS'Y (Revolution type)

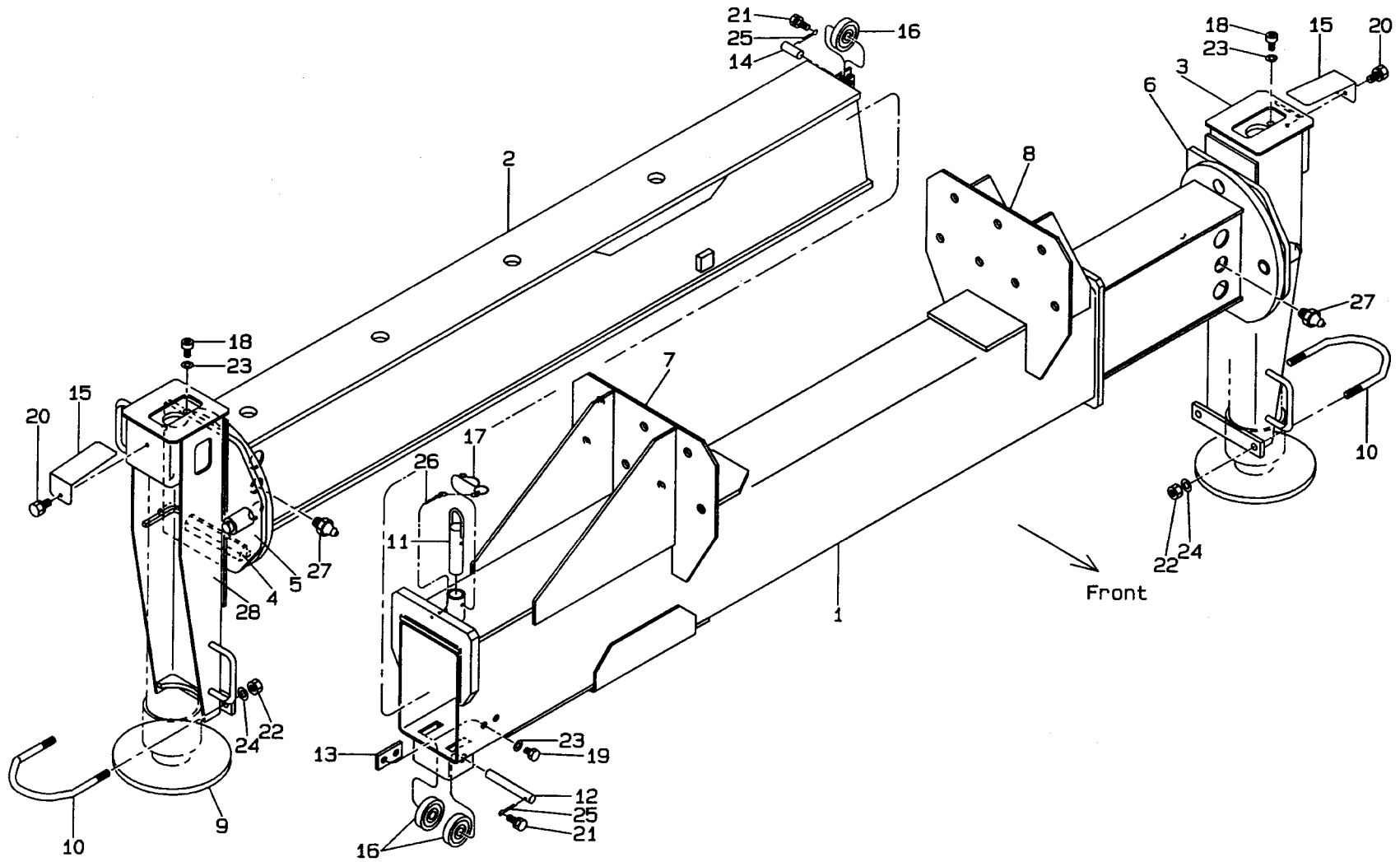


Fig. 21 REAR OUTRIGGER ASS'Y (Revolution type)

KEY No.	PARTS No.	PARTS NAME	Q · t y	M A R K	SERIAL No.	NOTE	KEY No.	PARTS No.	PARTS NAME	Q · t y	M A R K	SERIAL No.	NOTE
1~28	08V8 77000	Rear outrigger Ass'y	1	set Δ			19	7117 10015	Bolt	2			
1	08V8 77012	Box-outer	1				20	7142 06012	Bolt & Washer	2			
2	08V8 77022	Box-inner	1				21	7142 05012	Bolt & Washer	2			
3	08V8 77031	Stay-outrigger (R.H)	1				22	7211 11120	Nut	4			
4	08V8 77040	Stopper	1				23	7222 11100	Washer-spring	6			
5	08V8 77050	Revolution part Ass'y (L.H)	1				24	7222 11120	Washer-spring	4			
6	08V8 77060	Revolution part Ass'y (R.H)	1				25	7231 06025	Pin-split	2			
7	08V8 77070	Bracket (1)	1				26	7231 04030	Pin-split	1			
8	08V8 77080	Bracket (2)	1				27	7243 32000	Nipple-grease	4			
9	08V8 77090	Float	2				28	08V8 77120	Stay-outrigger (L.H)	1			
10	0143 55040	Band	2										
11	08V8 77110	Pin	1										
12	0137 55090	Pin (1)	1										
13	0143 59020	Stopper	1										
14	0137 55110	Pin (3)	1										
15	080B 55140	Cover	2										
16	7602 10079	Bearing	3										
17	0138 55080	Pin-stopper	1										
18	7161 10020	Bolt	4										

Fig. 22 OUTRIGGER CYLINDER ASS'Y

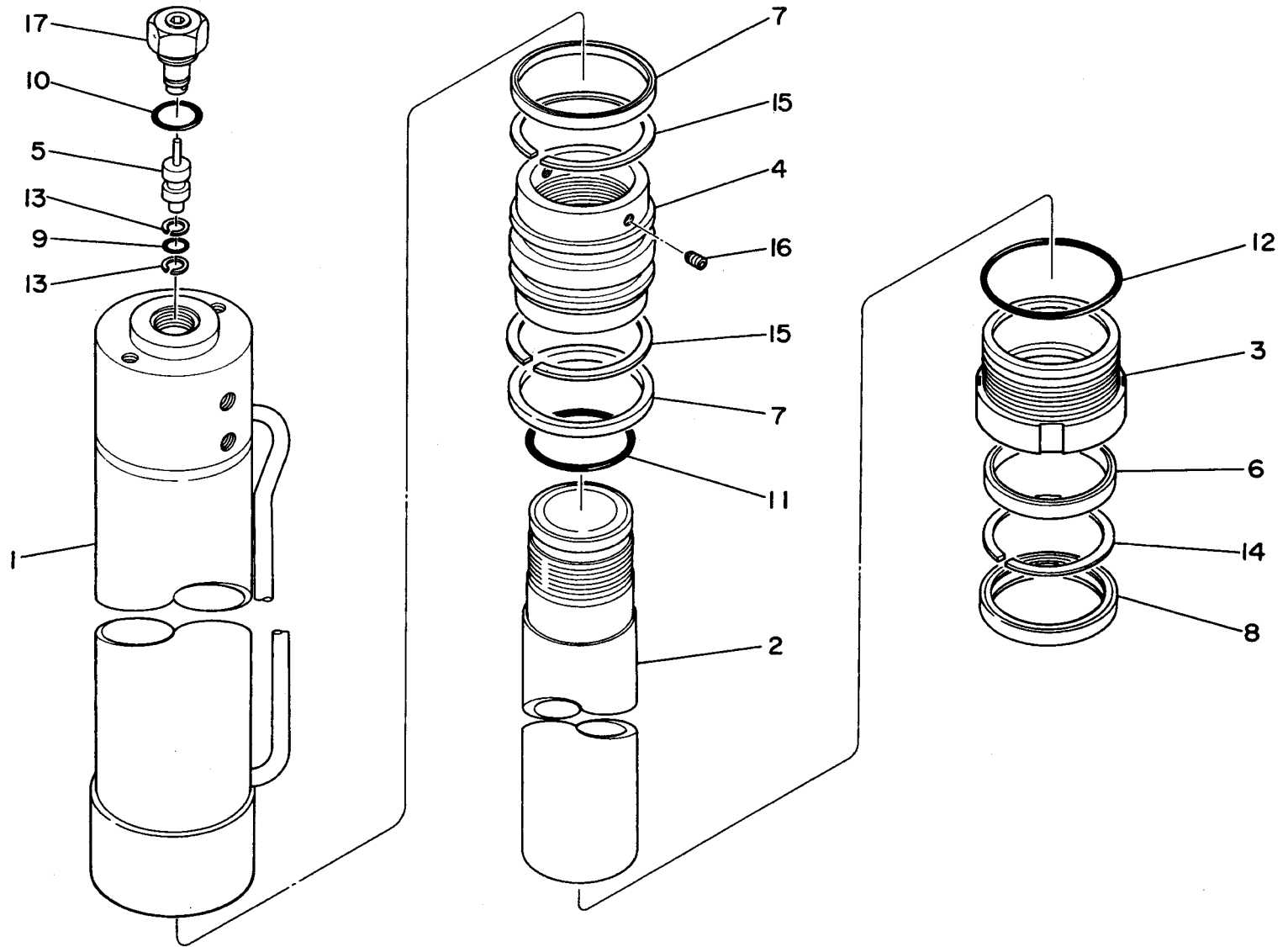


Fig. 22 OUTRIGGER CYLINDER ASS'Y

KEY No.	PARTS No.	PARTS NAME	Q t y	M A R K	SERIAL No.	NOTE	KEY No.	PARTS No.	PARTS NAME	Q t y	M A R K	SERIAL No.	NOTE
1~17	0805 13000	Outrigger cylinder Ass'y	1 set										
1	0805 13010	Tube Ass'y (1)	1				S	9180 513P0	Packing set	1 set			
2	0805 13020	Rod Ass'y (1)	1										
3	0805 13030	Gland	1										
4	0143 13031	Piston	1										
5	0143 13041	Spool	1										
S 6	8420 70080	Packing	1										
S 7	8230 75085	Packing	2										
S 8	8300 70084	Seal-dust	1										
S 9	7311 71011	Ring- "O"	1										
S 10	7311 92025	Ring- "O"	1										
S 11	7311 92065	Ring- "O"	1										
S 12	7311 92080	Ring- "O"	1										
S 13	7321 21011	Ring-back up	2										
S 14	8280 70080	Ring-back up	1										
S 15	8280 75085	Ring-back up	2										
16	7049 08010	Screw-set	2										
17	6016 81000	Outrigger cylinder holding valve Ass'y	1			CP-03F							
		See Fig. HP5											

↔...Interchangeable.

↔...New parts can interchange of old parts, but not vice-versa.

✂...Not interchangeable.

△...Part not for sale.

D...Disuse.

Q...Quantity

Fig. 23 REMOTE CONTROL FITTINGS & WIRINGS ASS'Y (Wired)

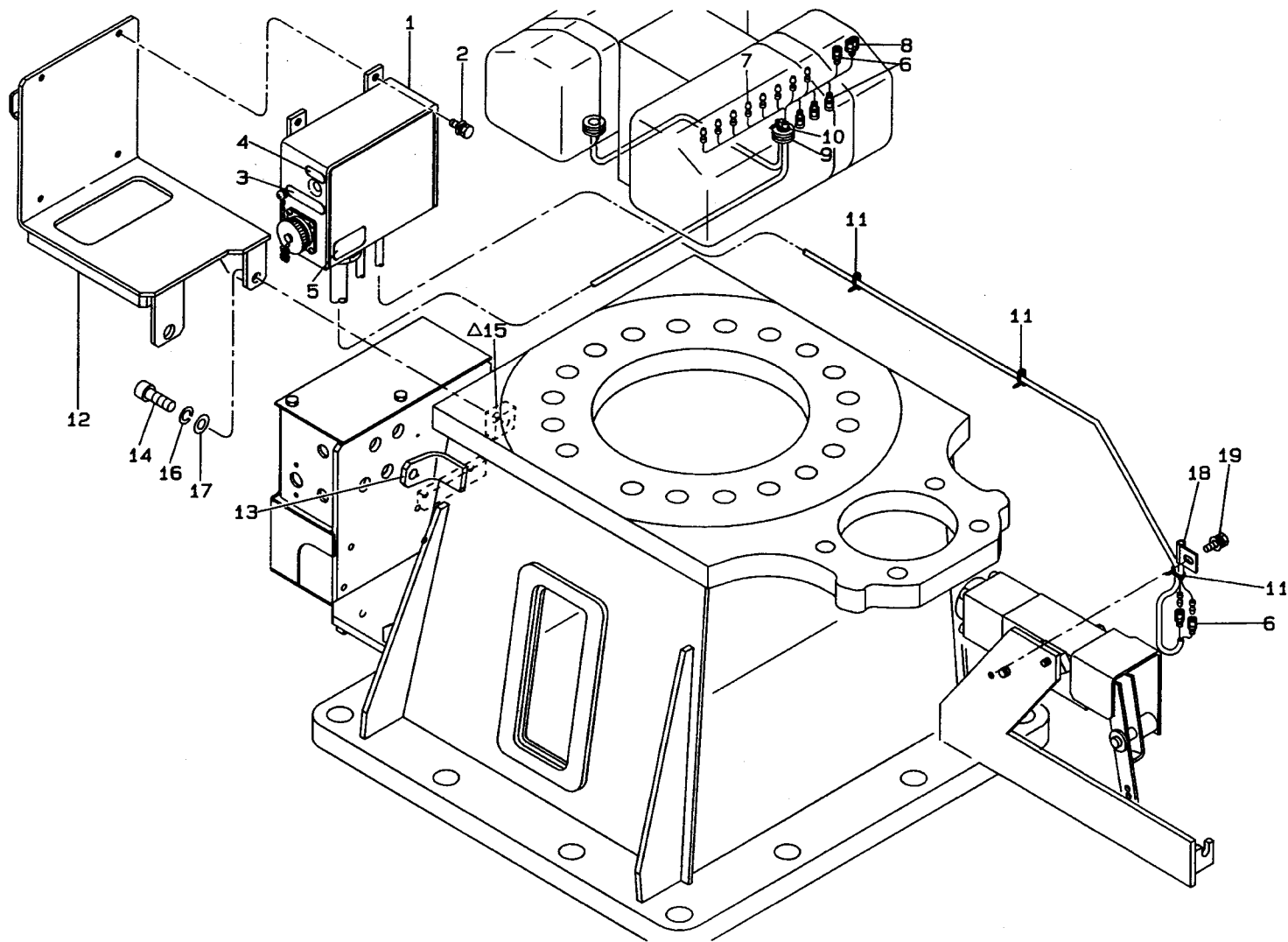


Fig. 23 REMOTE CONTROL FITTINGS & WIRINGS ASS'Y (Wired)

KEY No.	PARTS No.	PARTS NAME	Q · t y	M A R K	SERIAL No.	NOTE	KEY No.	PARTS No.	PARTS NAME	Q · t y	M A R K	SERIAL No.	NOTE
1~19	08V8 98000	Remote control fittings & wirings Ass'y	1 set	△			18	6022 11011	Clamp	1			
1	6031 87000	Control box Ass'y	1			RC-30S-12V	19	7142 06010	Bolt & Washer	1			
		See Fig. 24											
2	7142 06012	Bolt & Washer	4										
3	08H3 99010	Placard (No washer)	1										
4	08H3 99020	Placard (Electric power)	1										
5	08H3 99030	Placard (Power switch)	1										
6	7505 01006	Connector (F)	6										
7	7505 01005	Connector (M)	9										
8	7505 01004	Connector (W · F)	1										
9	7505 10005	Grommet	1										
10	7505 16005	Band-wire	1										
11	7505 16001	Band-wire	7										
12	08V8 98012	Bracket (3)	1										
13	08V8 98020	Bracket	1										
14	7163 08016	Bolt	1										
15	☆	Boss	1	△									
16	7222 11080	Washer-spring	1										
17	7221 12080	Washer	1										

⊕...Interchangeable. ⊕...New parts can interchangeable of old parts, but not vice-versa. ⊕...Not interchangeable. △...Part not for sale. D...Disuse. Q...Quantity 71

Fig. 24 CONTROL BOX ASS'Y

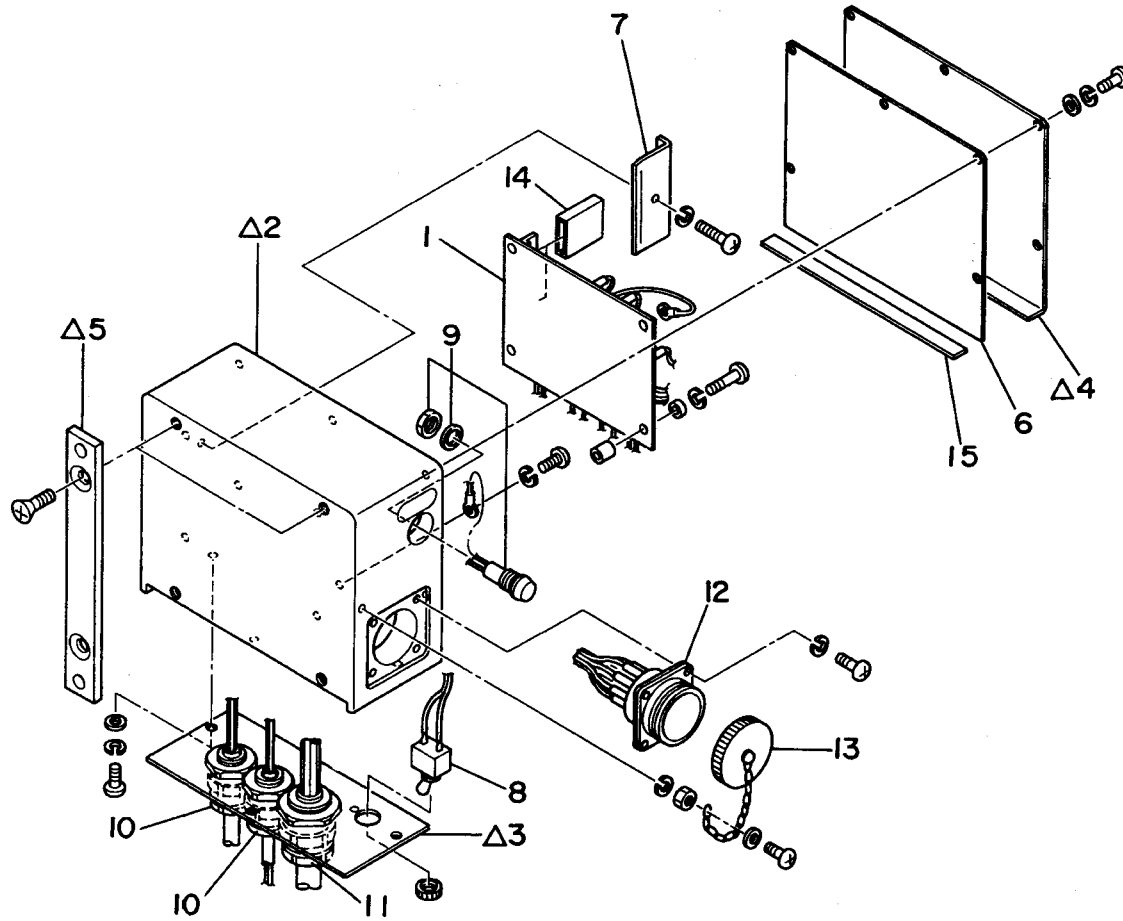


Fig. 24 CONTROL BOX ASS'Y

KEY No.	PARTS No.	PARTS NAME	Q · t y	M A R K	SERIAL No.	NOTE	KEY No.	PARTS No.	PARTS NAME	Q · t y	M A R K	SERIAL No.	NOTE
1~15	6031 87000	Control box Ass'y	1 set										
1	6031 45000	Package Ass'y	1										
2	☆	Case	1	△									
3	☆	Plate	1	△									
4	☆	Cover	1	△									
5	☆	Bracket	2	△									
6	6030 99050	Packing	1										
7	6030 78060	Support	1										
8	7503 01005	Switch-toggle	1										
9	7504 08011	Lamp	1										
10	7505 01042	Connector	2										
11	7505 01043	Connector	1										
12	7505 01048	Connector	1										
13	7505 14010	Cap	1										
14	7507 02003	Spacer	2										
15	6030 99080	Packing	1										

⊕...Interchangeable.

⊕...New parts can interchangeable of old parts, but not vice-versa.

⊗...Not interchangeable.

△...Part not for sale.

D...Disuse.

Q...Quantity

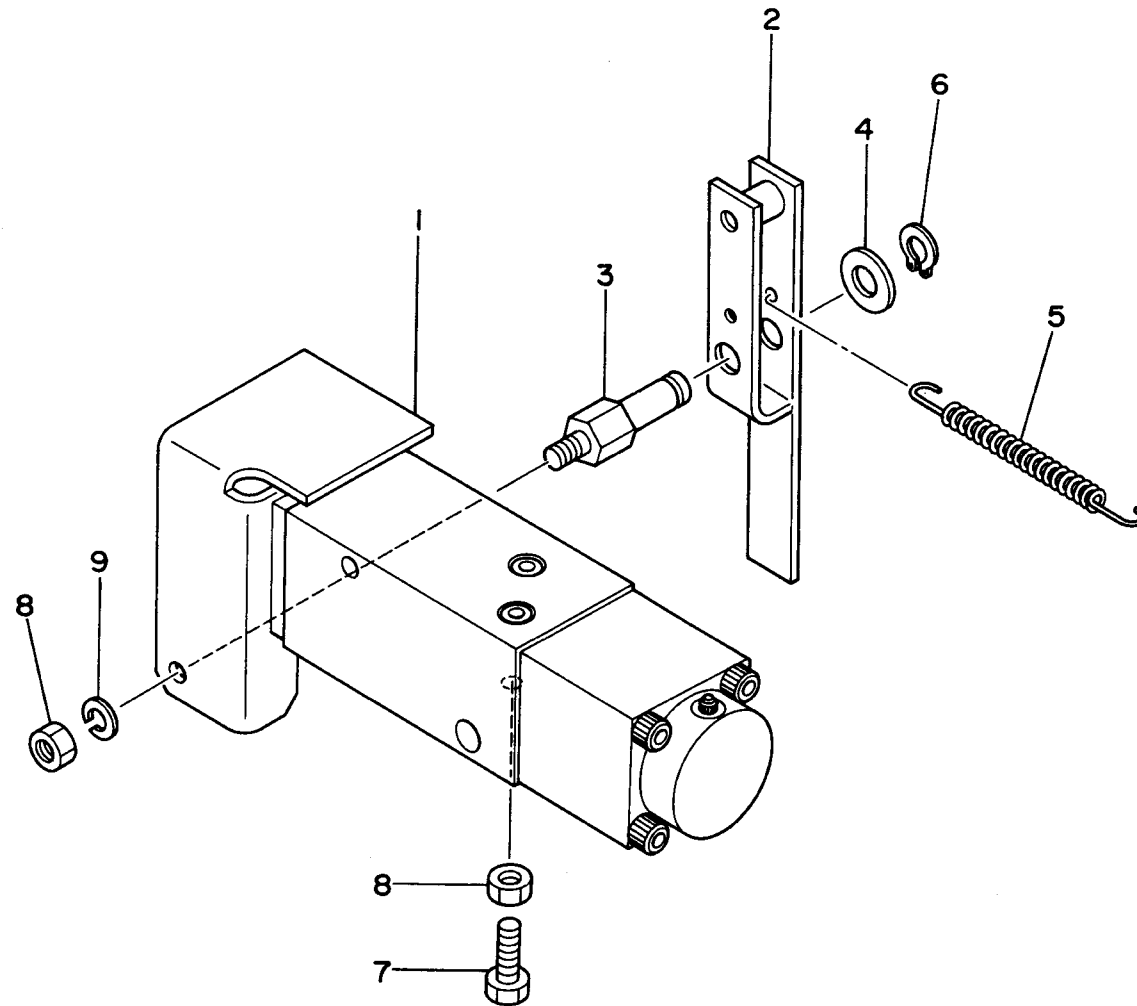


Fig. 25 ACCELERATOR UNIT ASS'Y

KEY No.	PARTS No.	PARTS NAME	Q t y	M A R K	SERIAL No.	NOTE	KEY No.	PARTS No.	PARTS NAME	Q t y	M A R K	SERIAL No.	NOTE
1~9	6031 88000	Accelerator unit Ass'y	1										
1	6012 21000	Proportional solenoid cylinder Ass'y See Fig. 26	1										
A 2	6030 97011	Link	1										
A 3	6030 97021	Pin (10)	1										
A 4	7221 12100	Washer-plain	1										
A 5	6030 61090	Spring	1										
A 6	7241 10100	Ring-snap	1										
7	7111 06015	Bolt	1										
8	7211 11060	Nut	2										
9	7222 11060	Washer-spring	1										
A	6030 97810	Link Ass'y	1										

⊕...Interchangeable.

⊕...New parts can interchange of old parts, but not vice-versa.

⊗...Not interchangeable.

△...Part not for sale.

D...Disuse.

Q...Quantity

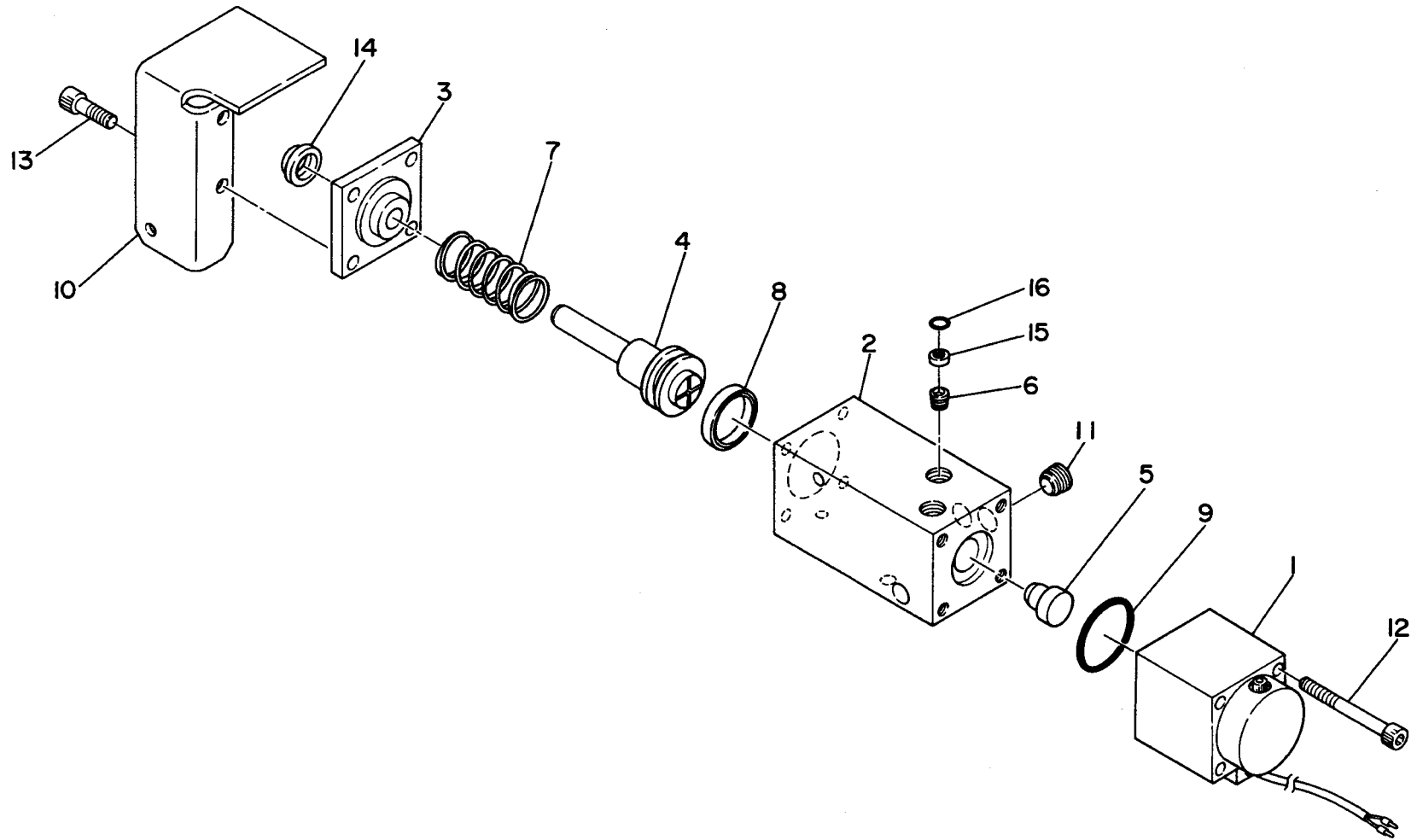


Fig. 26 PROPORTIONAL SOLENOID CYLINDER ASS'Y

KEY No.	PARTS No.	PARTS NAME	Q t y	M A R K	SERIAL No.	NOTE	KEY No.	PARTS No.	PARTS NAME	Q t y	M A R K	SERIAL No.	NOTE
1~16	6012 21000	Proportional solenoid cylinder, Ass'y	1	set									
1	7502 10013	Solenoid-proportional	1			PS15-0206-12							
2	6012 14011	Tube-cylinder	1										
3	6012 11081	Cover-cylinder	1										
4	6012 11091	Rod-piston	1										
5	6012 11040	Valve-check	1										
6	6012 11051	Orifice	1										
7	6012 11062	Spring	1										
8	7702 00008	Packing	1										
9	7311 92030	Ring-"O"	1										
10	6012 14020	Bracket	1										
11	7287 20200	Plug	2										
12	7161 06055	Bolt	4										
13	7161 06020	Bolt	4										
14	8220 10020	Seal-dust	1										
15	7405 80012	Filter	1										
16	7311 91008	Ring-"O"	1										

Fig. 27 WIRE REMOTE CONTROL ACCESSORIES

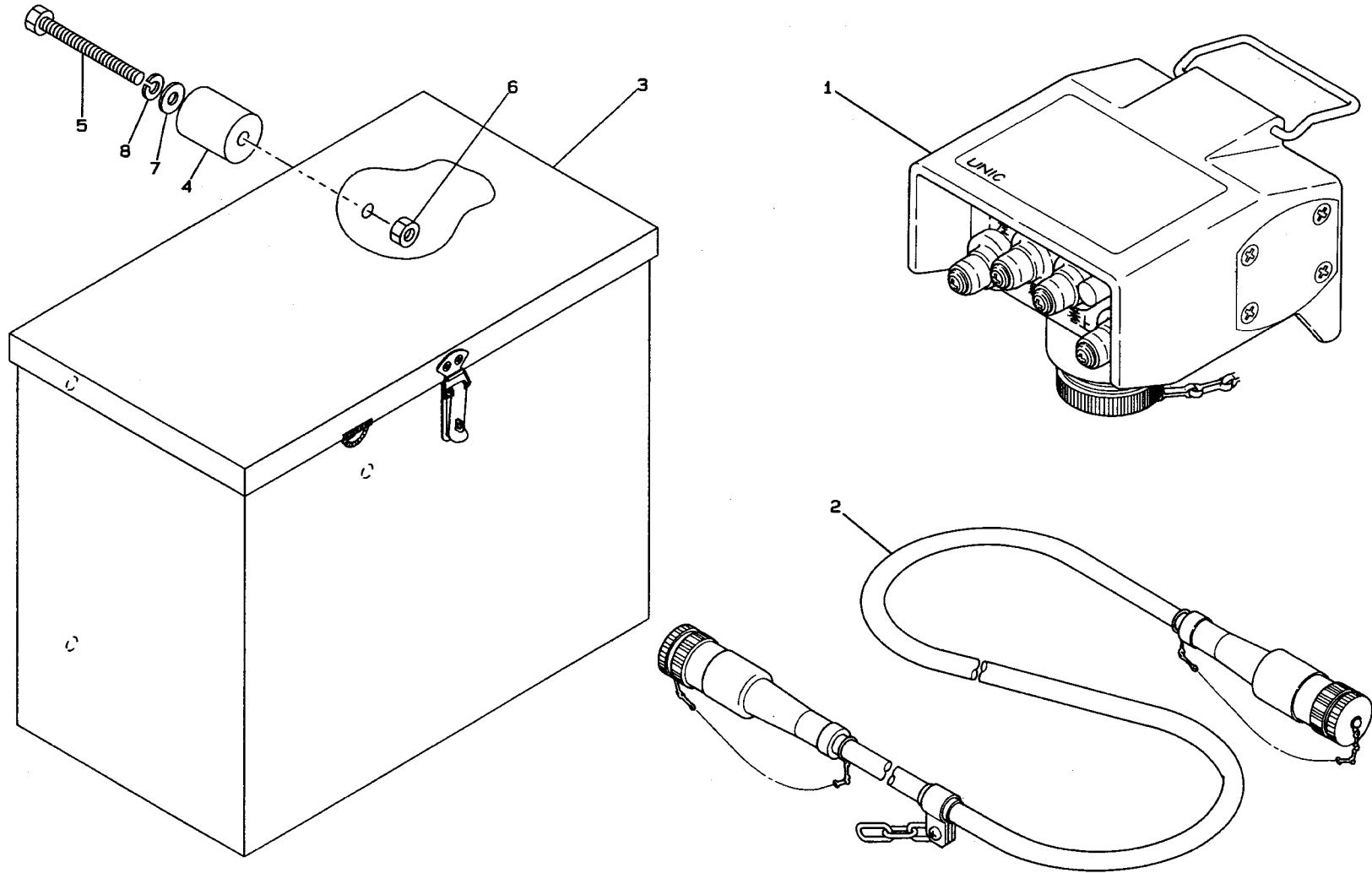


Fig. 27 WIRE REMOTE CONTROL ACCESSORIES

KEY No.	PARTS No.	PARTS NAME	Q t y	M A R K	SERIAL No.	NOTE	KEY No.	PARTS No.	PARTS NAME	Q t y	M A R K	SERIAL No.	NOTE
1~8	☆	Wire remote control accessories	1 set	△									
1	6032 06000	Remote controller Ass'y See Fig. 28	1			RC-30S-7							
2	6030 81000	Controller cable Ass'y	1			ℓ = 10m							
3	01L1 99060	Box	1										
4	6040 70010	Spacer	4										
5	7114 08080	Bolt	4			M8 × 80 ℓ							
6	7211 11080	Nut	4										
7	7221 12080	Washer-plain	4										
8	7222 11080	Washer-spring	4										

⊕...Interchangeable.

⊕...New parts can interchangeable of old parts, but not vice-versa.

⊗...Not interchangeable.

△...Part not for sale.

D...Disuse.

Q...Quantity

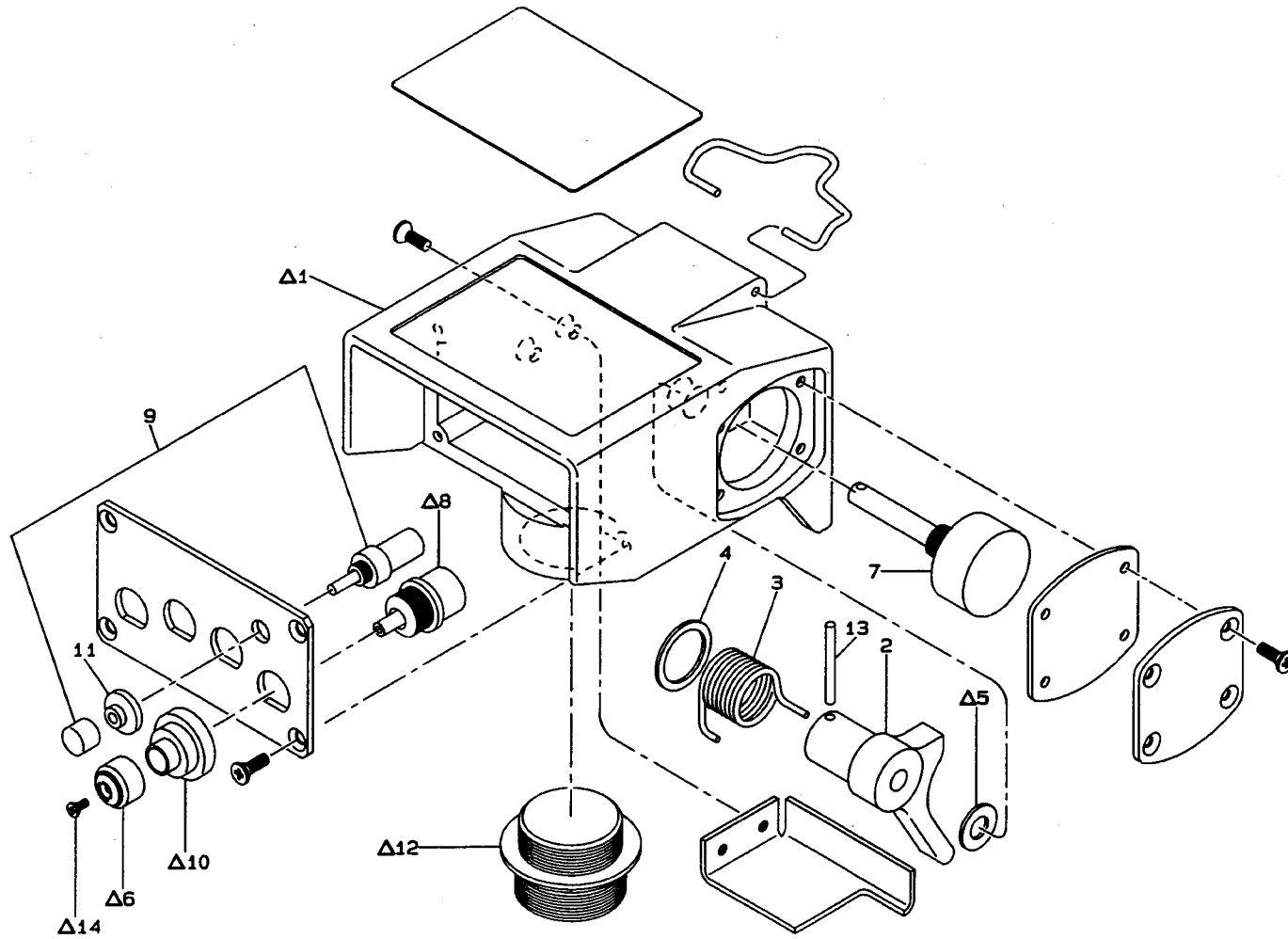


Fig. 28 REMOTE CONTROLLER ASS'Y

KEY No.	PARTS No.	PARTS NAME	Q t y	M A R K	SERIAL No.	NOTE	KEY No.	PARTS No.	PARTS NAME	Q t y	M A R K	SERIAL No.	NOTE
1~14	6032 06000	Remote controller Ass'y	1			RC-30S-7							
1	☆	Case	1	△									
A 2	6030 77020	Lever	1										
A 3	6030 77061	Spring	1										
A 4	6030 77080	Washer (1)	1										
A 5	☆	Washer (2)	1	△									
B 6	☆	Cap	4	△									
A 7	7502 04014	Resistor	1										
B 8	☆	Switch-toggle	4	△									
C 9	7503 03017	Switch-push button	1										
B 10	☆	Cap	4	△									
C 11	7505 14009	Cap	1										
B 12	☆	Connector	1	△									
A 13	7601 70004	Pin-spring	1										
B 14	☆	Screw-machine	4	△									
A	6030 77840	Lever Ass'y	1										
B	6030 77850	Switch Ass'y	1										
C	7503 03018	Switch Ass'y	1										

⊕...Interchangeable.

⊕...New parts can interchangeable of old parts, but not vice-versa.

⊗...Not interchangeable.

△...Part not for sale.

D...Disuse.

Q...Quantity

油 压 機 器
HYDRAULIC PARTS

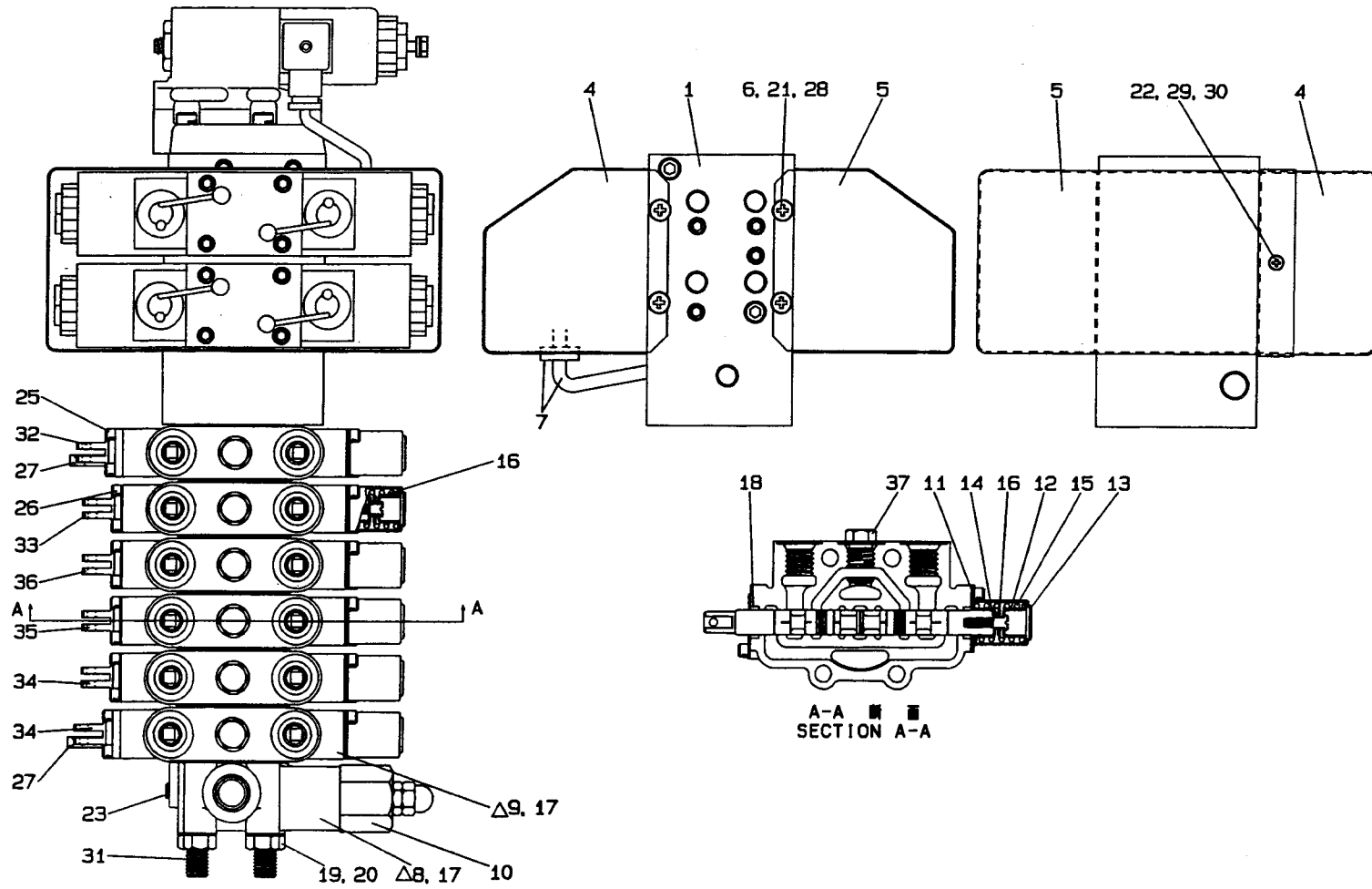


Fig. HP1 CONTROL VALVE ASS'Y (6-Spools)

KEY No.	PARTS No.	PARTS NAME	Q · t y	M A R K	SERIAL No.	NOTE	KEY No.	PARTS No.	PARTS NAME	Q · t y	M A R K	SERIAL No.	NOTE
1~37	6019 86000	Control valve Ass'y	1 set				16	6015 50090	Spacer	2			
1	6019 08000	Remote control valve Ass'y	1				17	7701 70026	Ring-"O"	7			
		See. Fig. HP8					18	7702 20003	Seal-dust	12			
2	☆						19	7211 15100	Nut	4			
3	☆						20	7222 11100	Washer-spring	4			
4	6018 13010	Cover (1)	2				21	7222 11060	Washer-spring	8			
5	6018 13020	Cover (2)	2				22	7222 11040	Washer-spring	2			
6	7221 12060	Washer-plain	8				23	7287 20200	Plug	1			
7	6031 37000	Remote control valve wirings Ass'y	1				24	☆					
		See Fig. HP7					25	7161 06012	Bolt	4			
8	☆	Body-inlet	1	△			26	7161 06008	Bolt	20			
9	☆	Body-valve	6	△			27	6015 50114	Bracket	2			
10	6014 93000	Relief valve Ass'y	1			RT-15C	28	7012 06010	Screw-pan head	8			
		See. Fig. HP2					29	7012 04008	Screw-pan head	2			
11	6015 50040	Seat-seal	10				30	7221 12040	Washer-plain	2			
12	6015 50050	Seat-spring	12				31	6015 71010	Rod-tie	4			ℓ = 290
13	6015 50061	Cover	6				32	6017 28040	Meter in out spool	1			
14	6015 50072	Screw-cap	6				33	6017 28010	Spool-meter out	1			
15	6016 25030	Spring	6				34	6015 60031	Spool-meter in	2			

⊕...Interchangeable.

⊕...New parts can interchangeable of old parts, but not vice-versa.

⊗...Not interchangeable.

△...Part not for sale.

D...Disuse.

Q...Quantity

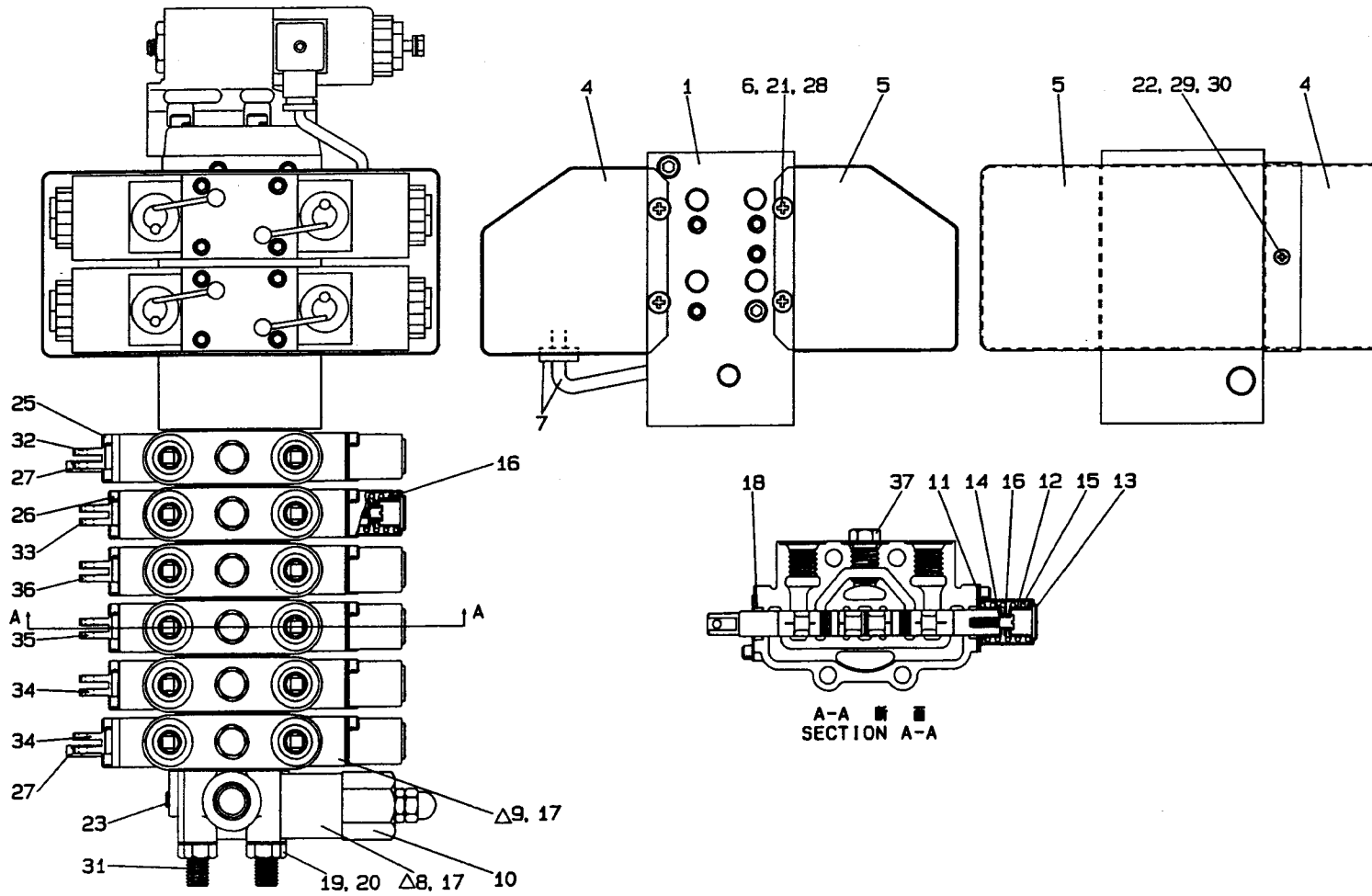


Fig. HP1 CONTROL VALVE ASS'Y (6-Spools)

KEY No.	PARTS No.	PARTS NAME	Q · t y	M A R K	SERIAL No.	NOTE	KEY No.	PARTS No.	PARTS NAME	Q · t y	M A R K	SERIAL No.	NOTE
35	6017 28030	Meter out spool "S" (G)	1										
36	6016 25071	Spool-meter in	1										
37	7288 90300	Plug	6										

⊕...Interchangeable.

⊕...New parts can interchange of old parts, but not vice-versa.

⊗...Not interchangeable.

△...Part not for sale.

D...Disuse.

Q...Quantity

Fig. HP2 RELIEF VALVE ASS'Y (RT-15C)

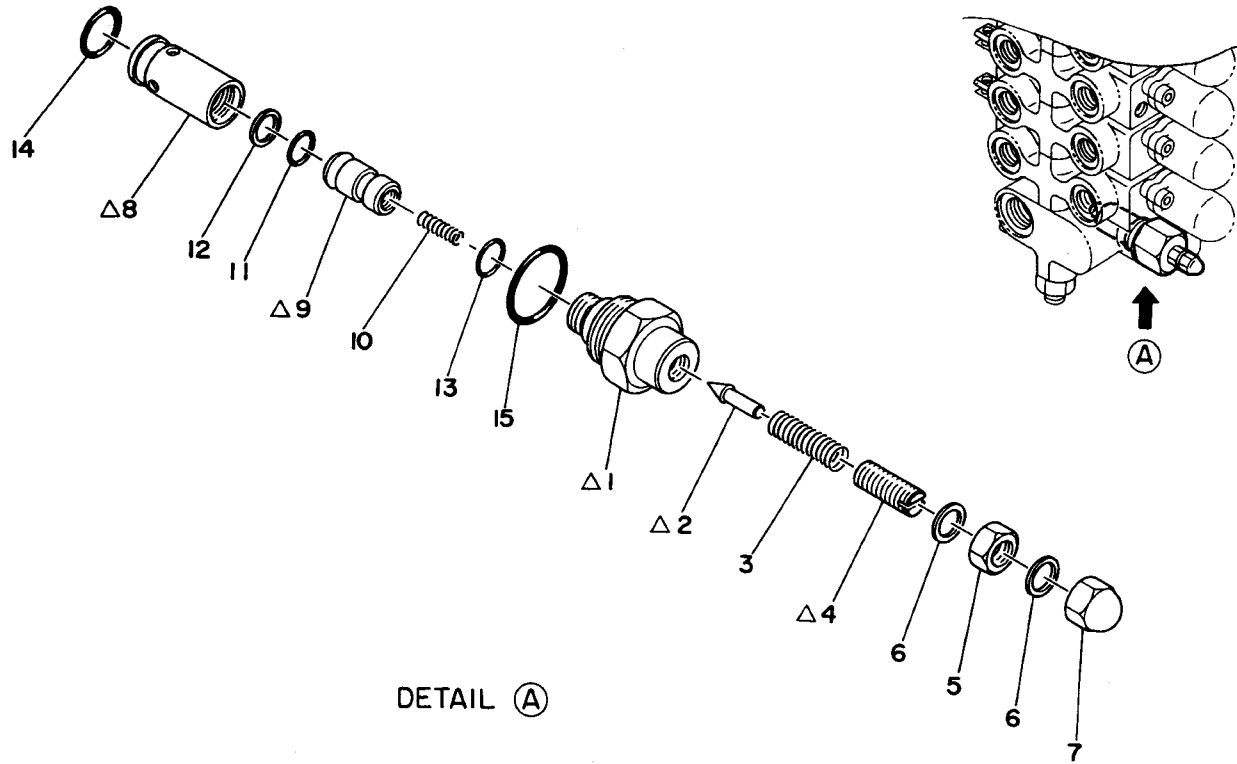


Fig. HP2 RELIEF VALVE ASS'Y (RT-15C)

KEY No.	PARTS No.	PARTS NAME	Q t y	M A R K	SERIAL No.	NOTE	KEY No.	PARTS No.	PARTS NAME	Q t y	M A R K	SERIAL No.	NOTE
1~15	6014 93000	Relief valve Ass'y	1			RT-15C							
1	☆	Cap	1	△									
2	☆	Valve-pilot	1	△									
3	6014 87060	Spring-pilot	1										
4	☆	Screw-adjusting	1	△									
5	6014 93060	Nut	1										
6	6013 07070	Washer-seal	2										
7	6041 93051	Nut-cap	1										
8	☆	Seat-valve	1	△									
9	☆	Valve-main	1	△									
10	6014 93040	Spring-main	1										
11	7311 73012	Ring-"O"	1										
12	7321 23012	Ring-back up	1										
13	7311 74512	Ring-"O"	1										
14	7311 91015	Ring-"O"	1										
15	7311 71024	Ring-"O"	1										

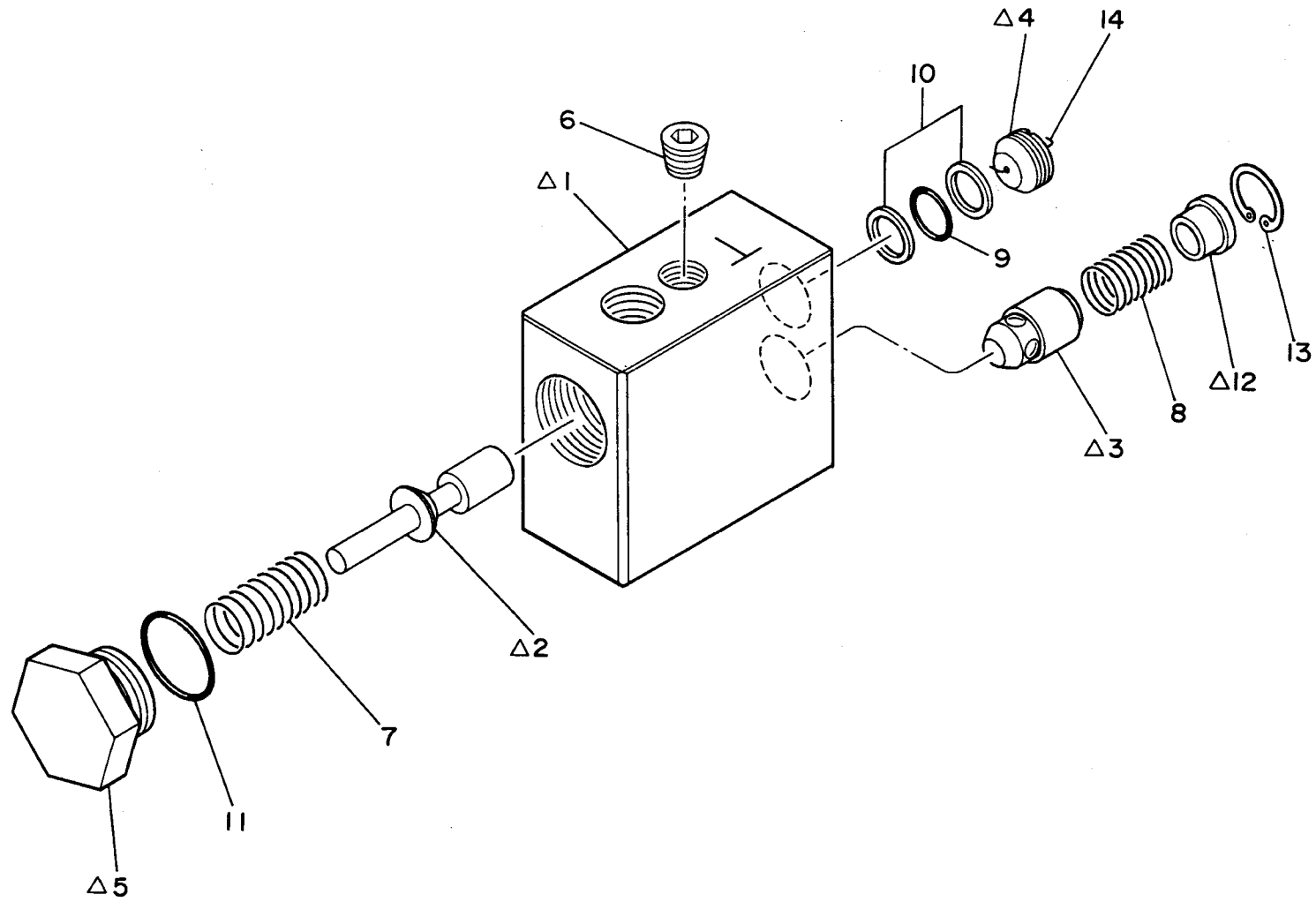


Fig. HP3 EXTENSION CYLINDER HOLDING VALVE ASS'Y (CB-03ET)

KEY No.	PARTS No.	PARTS NAME	Q t y	M A R K	SERIAL No.	NOTE	KEY No.	PARTS No.	PARTS NAME	Q t y	M A R K	SERIAL No.	NOTE
1~14	6014 73000	Extension cylinder holding valve Ass'y	1 set			CB-03ET							
1	☆	Body	1	△									
2	☆	Spool	1	△									
3	☆	Valve-check	1	△									
4	☆	Orifice	1	△									
5	☆	Plug	1	△									
6	7287 20200	Plug	1										
7	6014 73080	Spring (1)	1										
8	6011 93070	Spring (2)	1										
9	7311 71012	Ring-"O"	1										
10	7321 21012	Ring-back up	2										
11	7311 91020	Ring-"O"	1										
12	☆	Seat-spring	1	△									
13	7241 20160	Ring-snap	1										
14	6014 73060	Wire	1										

○...Interchangeable.

○...New parts can interchangeable of old parts, but not vice-versa.

✕...Not interchangeable.

△...Part not for sale.

D...Disuse.

Q...Quantity

Fig. HP4 BOO LIFT CYLINDER HOLDING VALVE ASS'Y (CB-03ED-1)

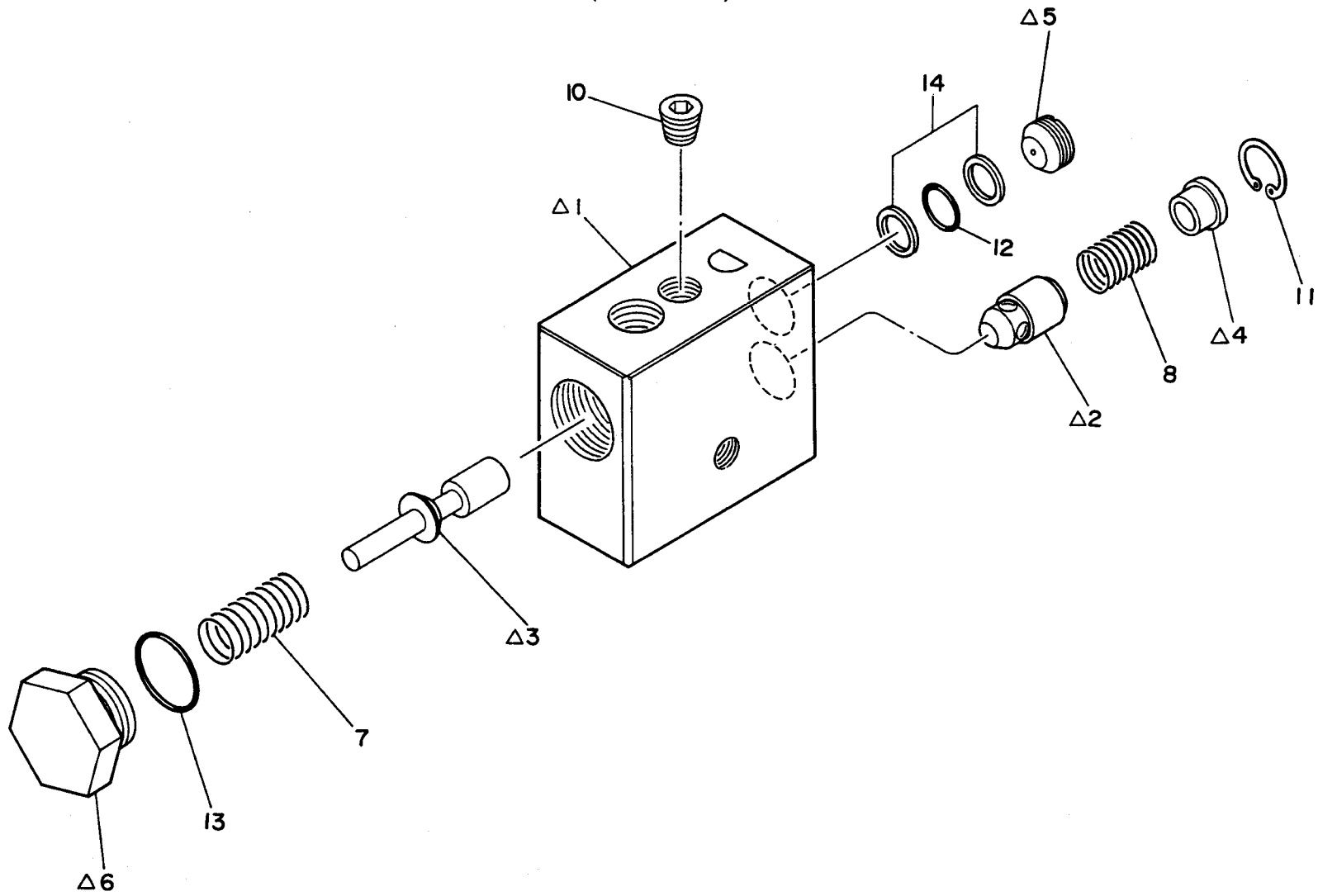


Fig. HP4 BOOM LIFT CYLINDER HOLDING VALVE ASS'Y (CB-03ED-1)

KEY No.	PARTS No.	PARTS NAME	Q · t y	M A R K	SERIAL No.	NOTE	KEY No.	PARTS No.	PARTS NAME	Q · t y	M A R K	SERIAL No.	NOTE
1~14	6018 31000	Counter balance valve Ass'y	1 set			CB-03ED-1							
1	☆	Body	1	△									
2	☆	Valve-check	1	△									
3	☆	Spool	1	△									
4	☆	Seat-spring	1	△									
5	☆	Orifice	1	△									
6	☆	Plug	1	△									
7	6014 73080	Spring (1)	1										
8	6011 93070	Spring (2)	1										
9	☆												
10	7287 20200	Plug	1										
11	7241 20160	Ring-snap	1										
12	7311 71012	Ring-"O"	1										
13	7311 91020	Ring-"O"	1										
14	7321 21012	Ring-back up	2										

☆...Interchangeable.

☆...New parts can interchangeable of old parts, but not vice-versa.

✂...Not interchangeable.

△...Part not for sale.

D...Disuse.

Q...Quantity

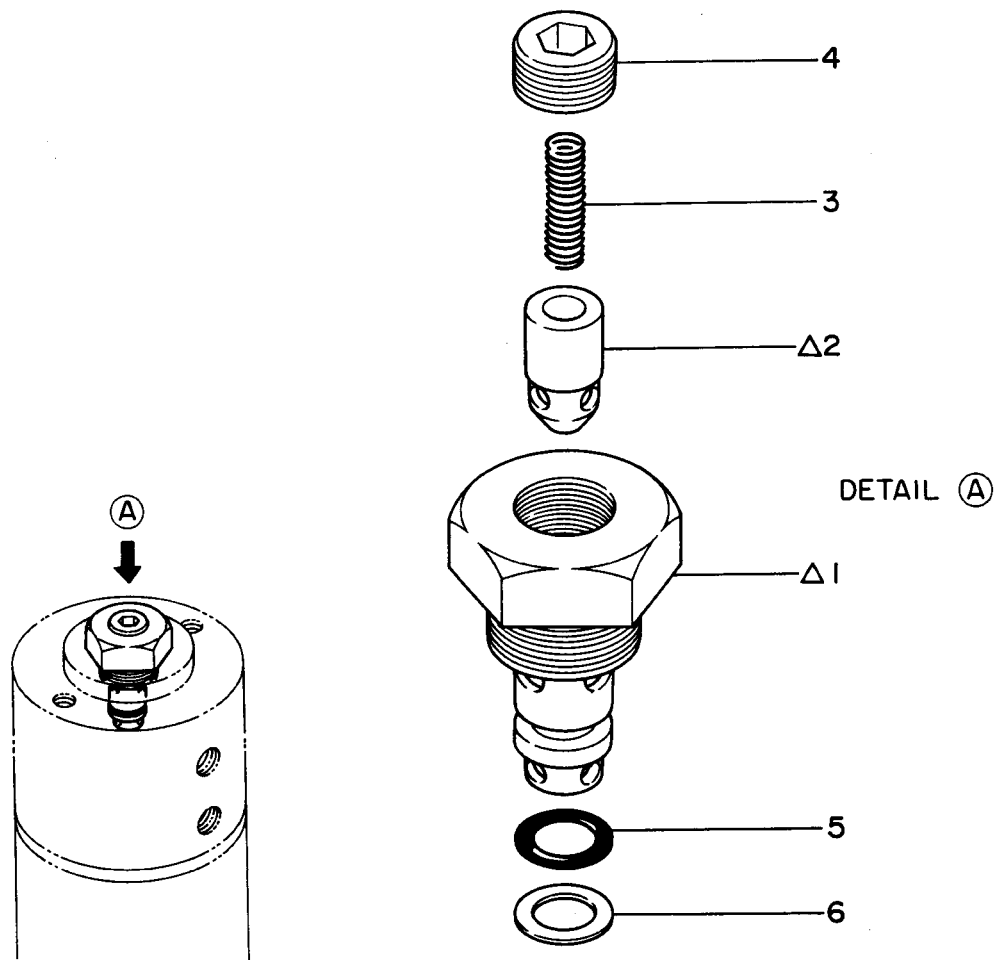


Fig. HP5 OUTRIGGER CYLINDER HOLDING VALVE ASS'Y (CP-03F)

KEY No.	PARTS No.	PARTS NAME	Q · t y	M A R K	SERIAL No.	NOTE	KEY No.	PARTS No.	PARTS NAME	Q · t y	M A R K	SERIAL No.	NOTE
1~6	6016 81000	Outrigger cylinder holding valve Ass'y	1	set		CP-03F							
1	☆	Seat-valve	1	△									
2	☆	Valve-check	1	△									
3	6013 09040	Spring	1										
4	7287 20300	Plug	1										
5	7311 71011	Ring- "O"	1										
6	7321 21011	Ring-back up	1										

⊕...Interchangeable.

⊕...New parts can interchangeable of old parts, but not vice-versa.

⊗...Not interchangeable.

△...Part not for sale.

D...Disuse.

Q...Quantity

Fig. HP6 PILOT CHECK VALVE ASS'Y (CP-03W-B)

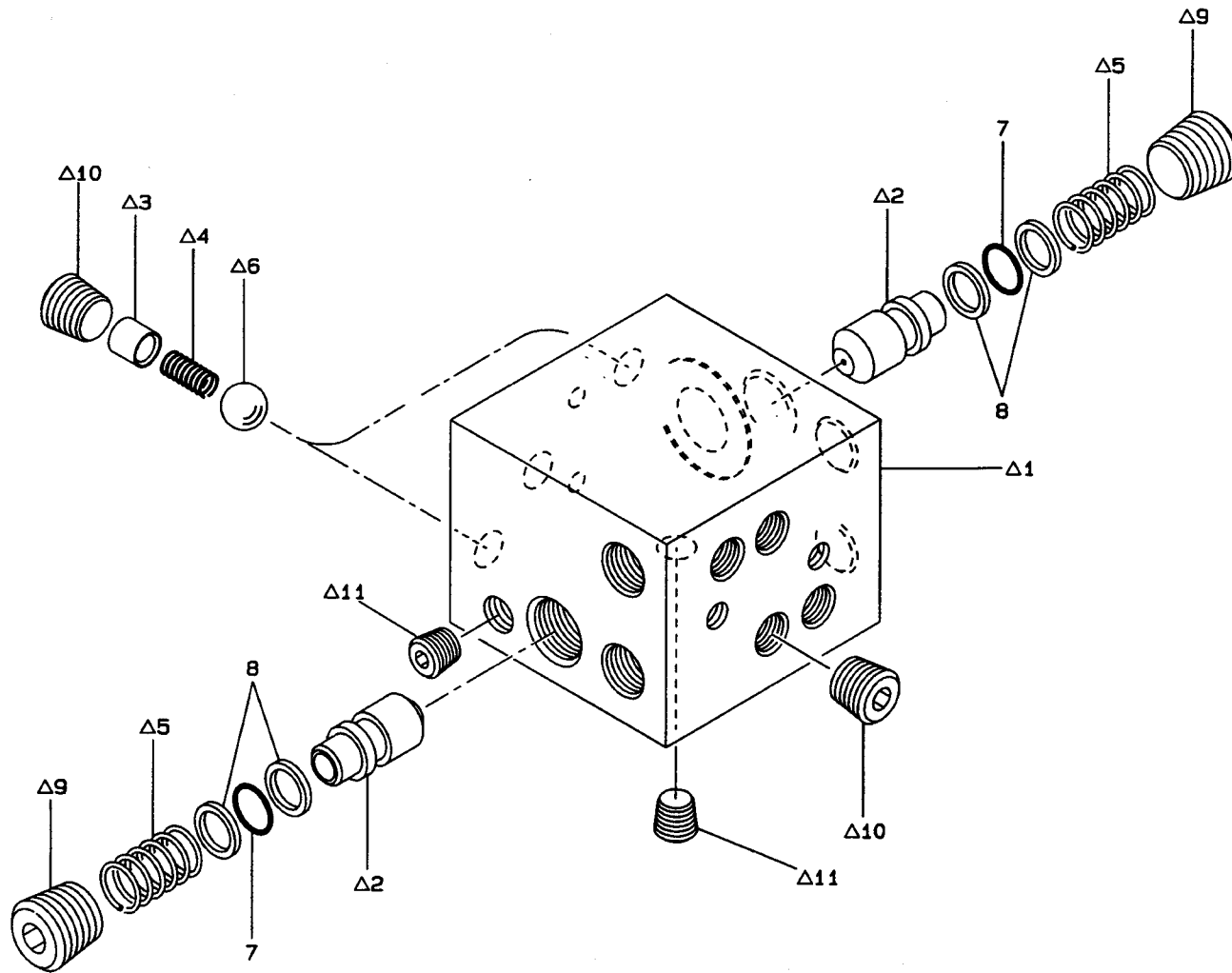


Fig. HP6 PILOT CHECK VALVE ASS'Y (CP-03W-B)

KEY No.	PARTS No.	PARTS NAME	Q t y	M A R K	SERIAL No.	NOTE	KEY No.	PARTS No.	PARTS NAME	Q t y	M A R K	SERIAL No.	NOTE
1~11	6019 87000	Pilot check valve Ass'y	1										
1	☆	Body-valve	1	△									
2	☆	Valve-check	2	△									
3	☆	Seat-spring	2	△									
4	☆	Spring	2	△									
5	☆	Spring (2)	2	△									
6	☆	Ball-steel	2	△									
7	7311 71012	Ring- "O"	2										
8	7321 21012	Ring-back up	4										
9	☆	Plug	2	△									
10	☆	Plug	6	△									
11	☆	Plug	2	△									

⊕...Interchangeable.

⊕...New parts can interchangeable of old parts, but not vice-versa.

⊗...Not interchangeable.

△...Part not for sale.

D...Disuse.

Q...Quantity

Fig. HP7 REMOTE CONTROL VALVE WIRINGS ASS'Y

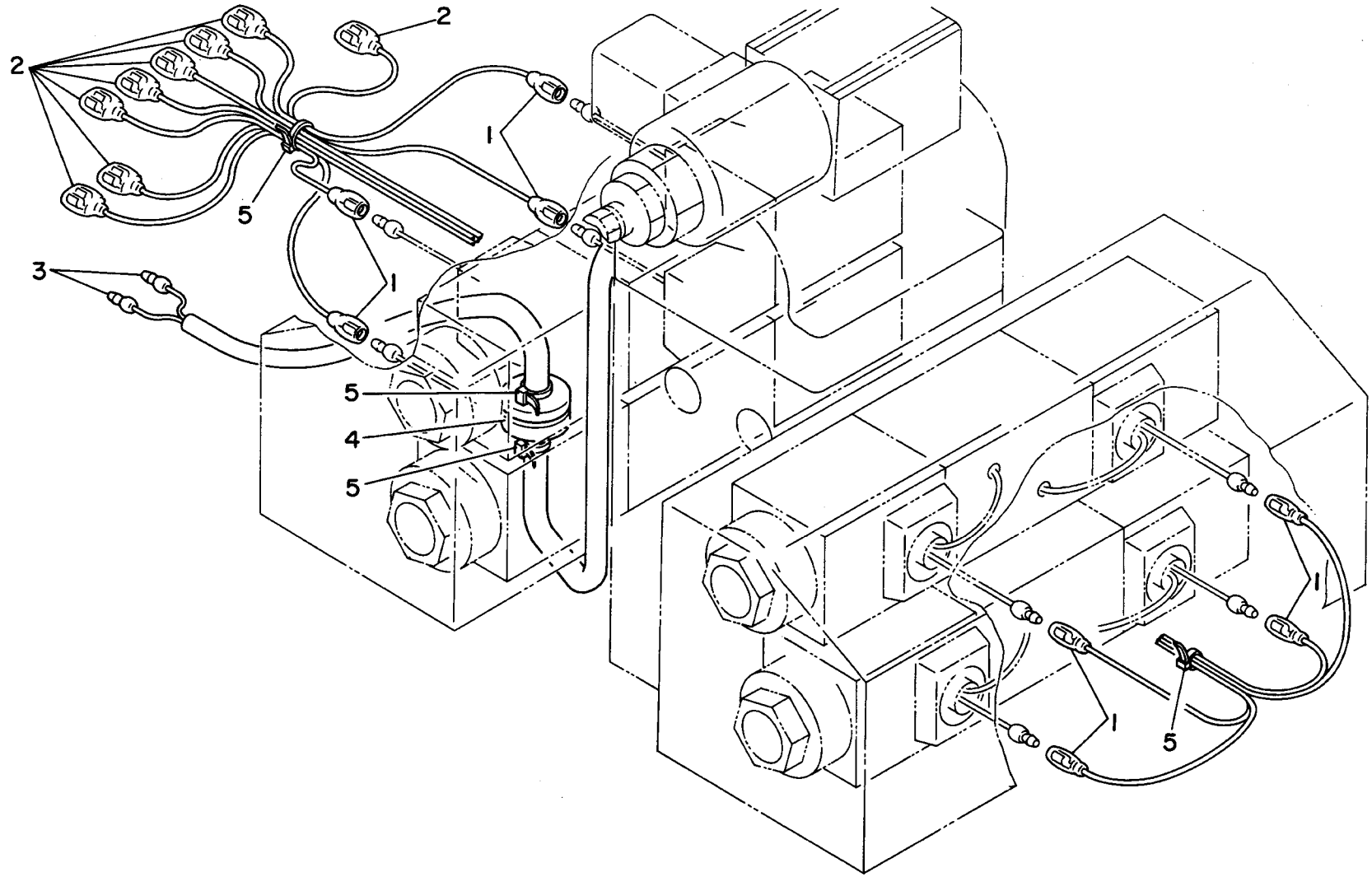


Fig. HP7 REMOTE CONTROL VALVE WIRINGS ASS'Y

KEY No.	PARTS No.	PARTS NAME	Q · t y	M A R K	SERIAL No.	NOTE	KEY No.	PARTS No.	PARTS NAME	Q · t y	M A R K	SERIAL No.	NOTE
1~5	6031 37000	Remote control valve wirings, Ass'y	1 set	△									
1	7505 01006	Connector (F)	8										
2	7505 01004	Connector (W·F)	8										
3	7505 01005	Connector (M)	2										
4	7505 10014	Grommet	1										
5	7505 16001	Band-wire	4										

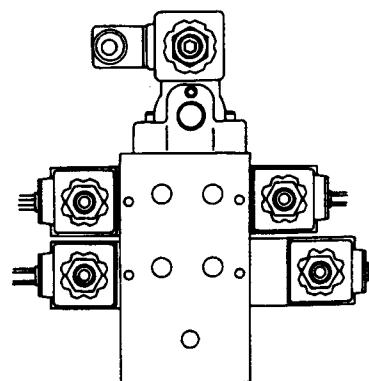
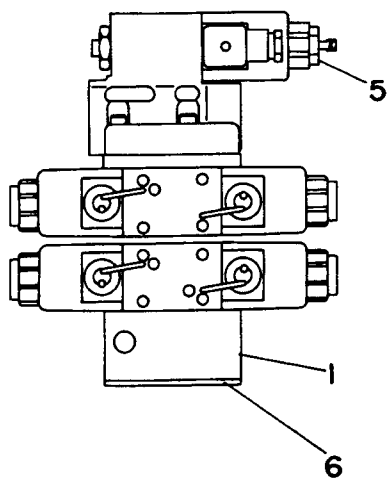
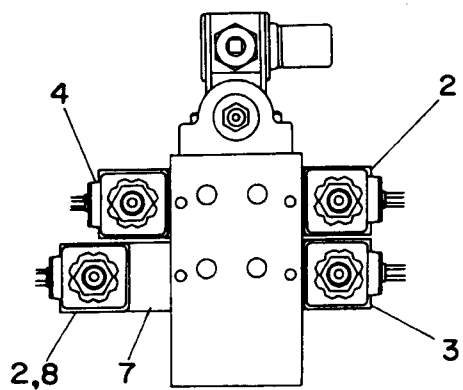


Fig. HP8 REMOTE CONTROL VALVE ASS'Y

KEY No.	PARTS No.	PARTS NAME	Q t y	M A R K	SERIAL No.	NOTE	KEY No.	PARTS No.	PARTS NAME	Q t y	M A R K	SERIAL No.	NOTE
1~8	6019 08000	Remote control valve Ass'y	1 set	△		For DC 12V							
1	6017 82010	Manifold	1										
2	7401 92045	Solenoid selector valve	2			Hoist & Extension cylinder							
3	7401 92046	Solenoid selector valve	1			Swing							
4	7401 92047	Solenoid selector valve	1			Boom left cylinder							
5	7401 92044	Solenoid pressure valve	1										
5-1	7502 10014	Solenoid valve Ass'y	1										
5-2	9160 171P0	Seal set	1										
6	☆	Cover	1	△									
7	6018 28000	Check valve Ass'y	1										
8	☆	Bolt	4	△									

↔...Interchangeable.

↔...New parts can interchangeable of old parts, but not vice-versa.

✗...Not interchangeable.

△...Part not for sale.

D...Disuse.

Q...Quantity

UNIC Hydraulic Crane

URV Series

Crane Models:

**URV230, URV260, URV290, URV300,
URV340, URV370, URV500**

Work Shop Manual

FURUKAWA UNIC Corporation

UNIC Hydraulic Cranes

Model UR293 A1

**PARTS
MANUAL**

FURUKAWA UNIC Corporation

FURUKAWA UNIC Corporation